



02.02.2022

D-Max Wall

Advantages compared to exterior insulation

- Can be sprayed regardless of temperature or wind (as low as 15°F)
- No scaffolding or vessel necessary. Less machinery therefore less rental cost, logistics and risk of accident.
- Building insulation can be performed as the walls go up.
- Less materials therefore time and cost savings for execution.
- Important heating cost savings in winter.
- Meets fireblocking requirements for concealed wall spaces. IBC Section 718.2.
- NFPA 285 Compliant.
- Sequencing of work simpler and easier to manage for the superintendent since there are less workers to execute each step.
- Avoids overspray.
- Avoids having to install an interior furring in comparison with a fiberglass insulated cavity where the electricity cannot run through the stud cavity.

Typical D-Max Wall Assembly:

- Lightweight or brick siding
- Omega bars or brick ties
- Exterior 5/8" sheathing with taped joints or full surface air barrier membrane (Tyvek or others)
- Heatlok HFO Pro (variable thickness)
- Z girts (variable thickness)
- Steel stud 6" or 3 5/8"
- Interior gyprock

PARTIAL LIST OF D-MAX PROJECTS

Name of Project
Completed
Le Saint-Philippe
Bâtiment K
Le Nicolas
Saphir
Liénard
Le Guillaume
Archipel
Huma 2
To Come
Circa Condo
800 Charest
Lokia
Réseau Sélection Mirabel
Viridi
Novit
Père Le Lièvre
Sir John
Maison de femmes autochtones
Satori
Lab École-Gatineau
Ilot St-Charles
District Concorde (3 tours)
Mgr Plessis
Capella
Newman RPA Ph2
Maestria tour 1 (alcove)
Maestria tour 2 (alcove)
Maison Benoit Labre
Concordia
Symposium
Medway (800 route des rivières)
Place Frontenac
Alternative D-Max Projects
Château Bellevue 2
Les Loges 6
Le Fleurimont
Huma 1

3315 E. Division Street, Arlington, TX 76011
 Tel: 817.640.4900 888.224.1533
www.huntsmanbuildingsolutions.com

A business unit of Huntsman Corporation



Nicolas Project



K Building Project



Saint-Philippe Project







D-MAX WALL

BEFORE THE START OF CONSTRUCTION OF THE WALL ASSEMBLY, A START-UP MEETING IS STRONGLY RECOMMENDED WITH THE DIFFERENT PROFESSIONALS TO COORDINATE CONSTRUCTION STEPS AND DETAILS. WE ARE AVAILABLE FOR THIS MEETING.

1) THE ADVANTAGE OF THIS WALL SECTION IS A MAXIMUM EFFECTIVE R VALUE IN A VERY THIN WALL. THIS INCREASES THE INHABITABLE FLOOR SPACE. THE STEEL STUD CAN BE 3-5/8 IN OR 6 IN DEPENDING ON THE DESIGNER'S CHOICE.

2) THIS WALL SECTION ALLOWS THE APPLICATION OF THE INSULATION FROM THE INTERIOR, SHELTERED FROM THE WEATHER AND WITHOUT SCAFFOLDING.

3) THE OUTER Z GIRTS THICKNESS IS VARIABLE FROM 1 IN TO 4 IN ACCORDING TO THE DESIRED EFFECTIVE R VALUE AND DESIGN CHOICES.

4) A MINIMUM THICKNESS OF 1.5 IN AND A MAXIMUM OF 3 IN IS RECOMMENDED TO COVER THE OUTER Z GIRTH FROM INSIDE TO CUT THE THERMAL BRIDGE.

5) HUNTSMAN BUILDING SOLUTIONS IS AVAILABLE FOR REVIEWING PROJECT DETAILS, FOR A COORDINATION MEETING AT THE BEGINNING OF THE PROJECT AND FOR SITE INSPECTIONS DURING THE WORKS.

NOTES

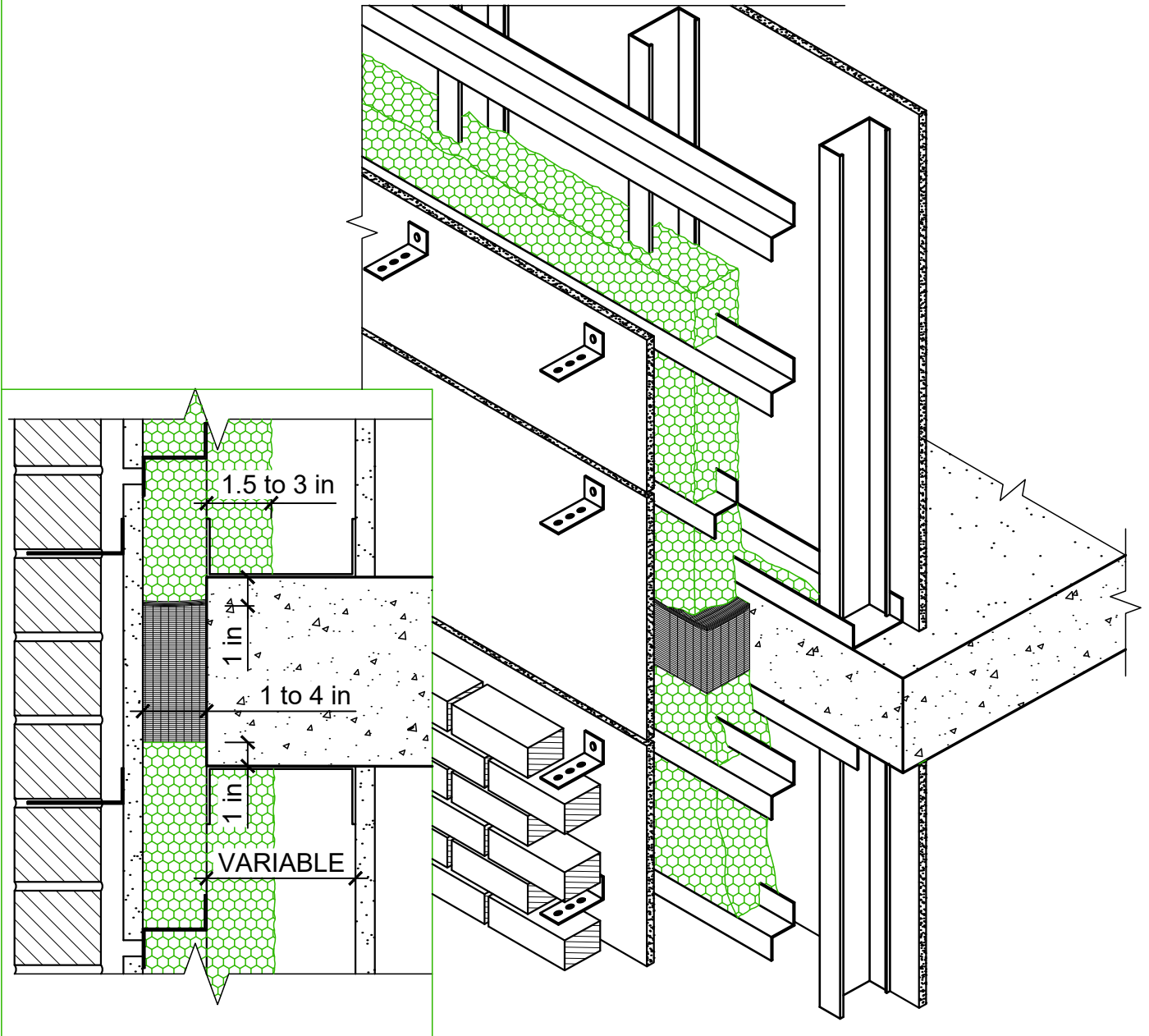
A THE FLEXIBLE FLASHING ABOVE OPENINGS MUST EXCEED 8" MIN. ON BOTH SIDES OF THE OPENING

B RAISE THE SELF-ADHESIVE MEMBRANE 3" ON THE JAMB

C MEMBRANES MUST BE INSTALLED ACCORDING TO MANUFACTURERS' REQUIREMENTS

NOTES: A FULL SURFACE MEMBRANE CAN BE USED DEPENDING ON THE DESIGNER'S CHOICE (NON ILLUSTRATED)

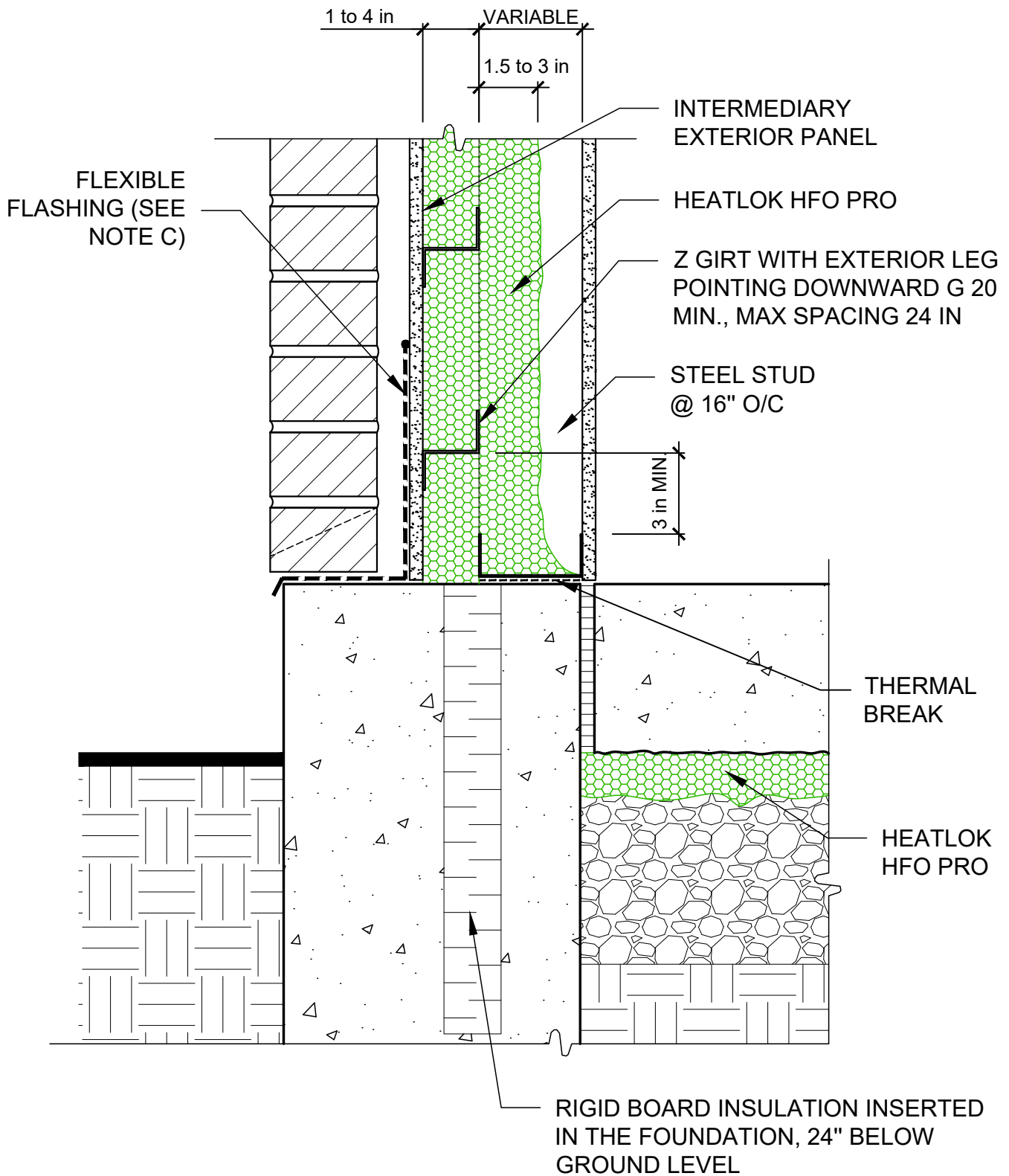
Date: 03-05-2022



ISOMETRY
BRICK SIDING

Date:03-05-2022

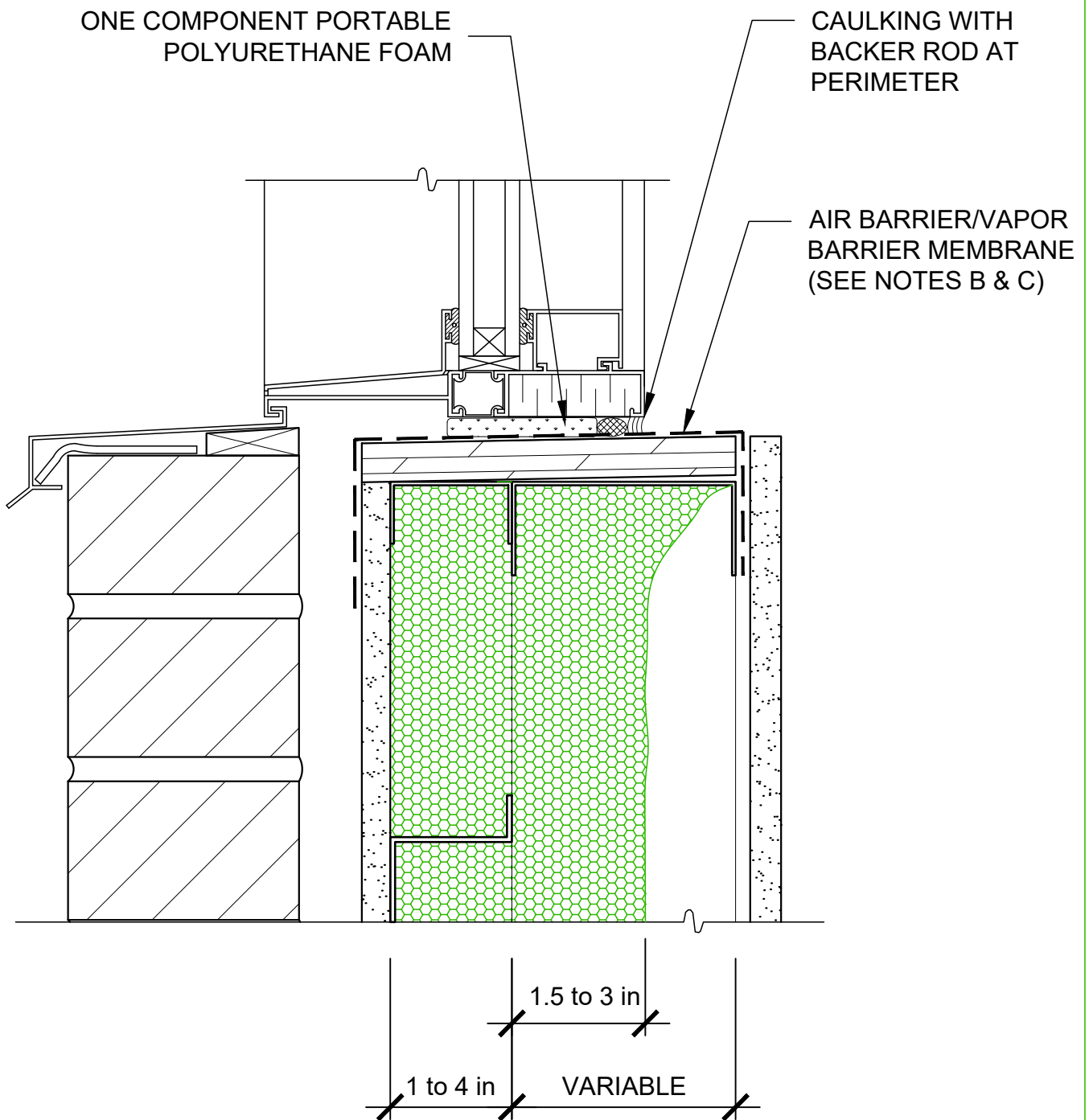
Scale: Variable



THROUGH WALL MEMBRANE AT FOUNDATION
WALL JUNCTION - BRICK SIDING

Date: 03-05-2022

SCALE : 1:5

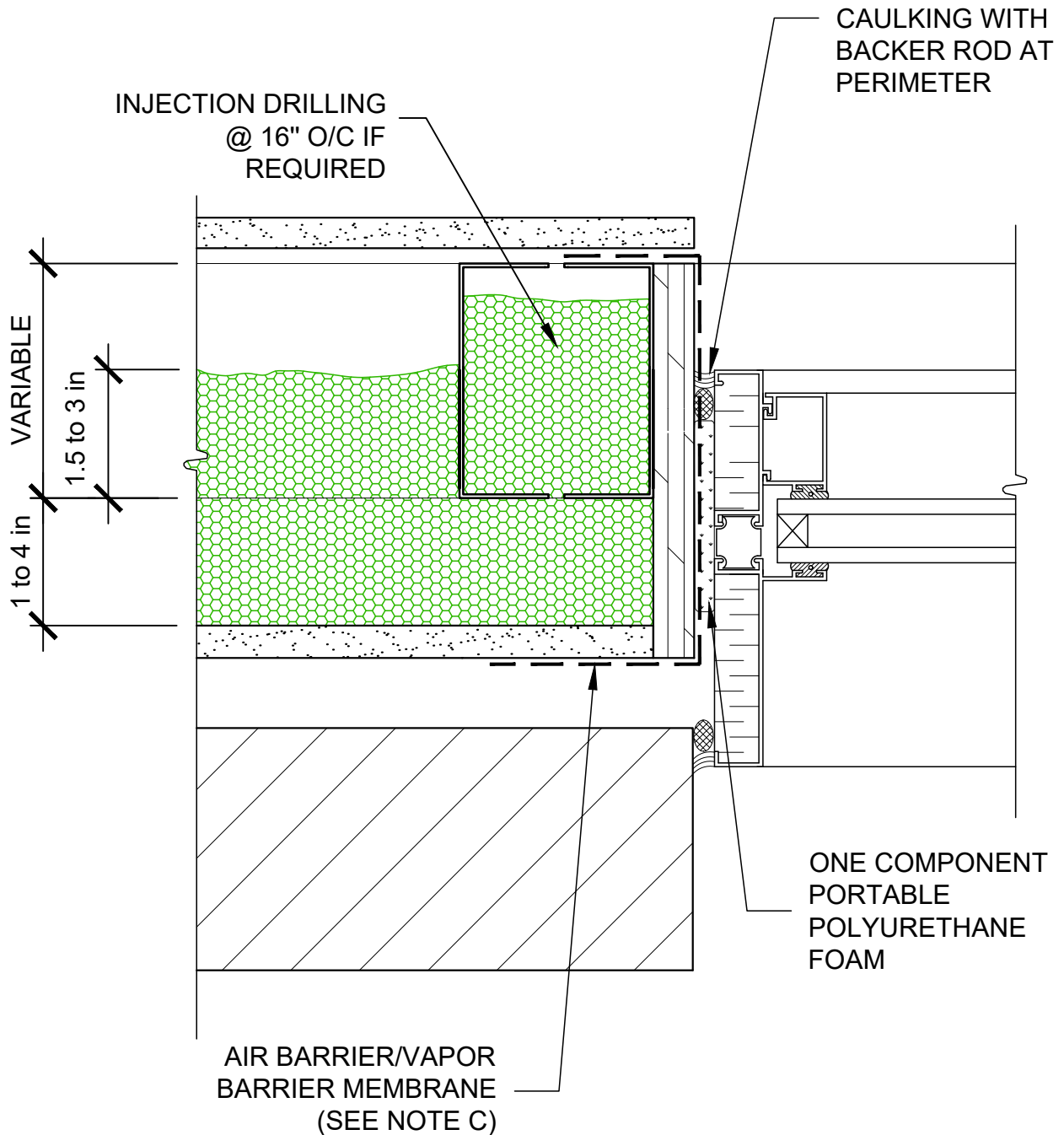


WINDOW SILL
BRICK SIDING

Date: 03-05-2022

SCALE: 1:2.5

NOTE: FOR SUPPORT PURPOSES AT OPENINGS, THE WINDOW SUPPORT POSTS MAY BE DOUBLED AND INJECTED WITH HEATLOK HFO PRO.

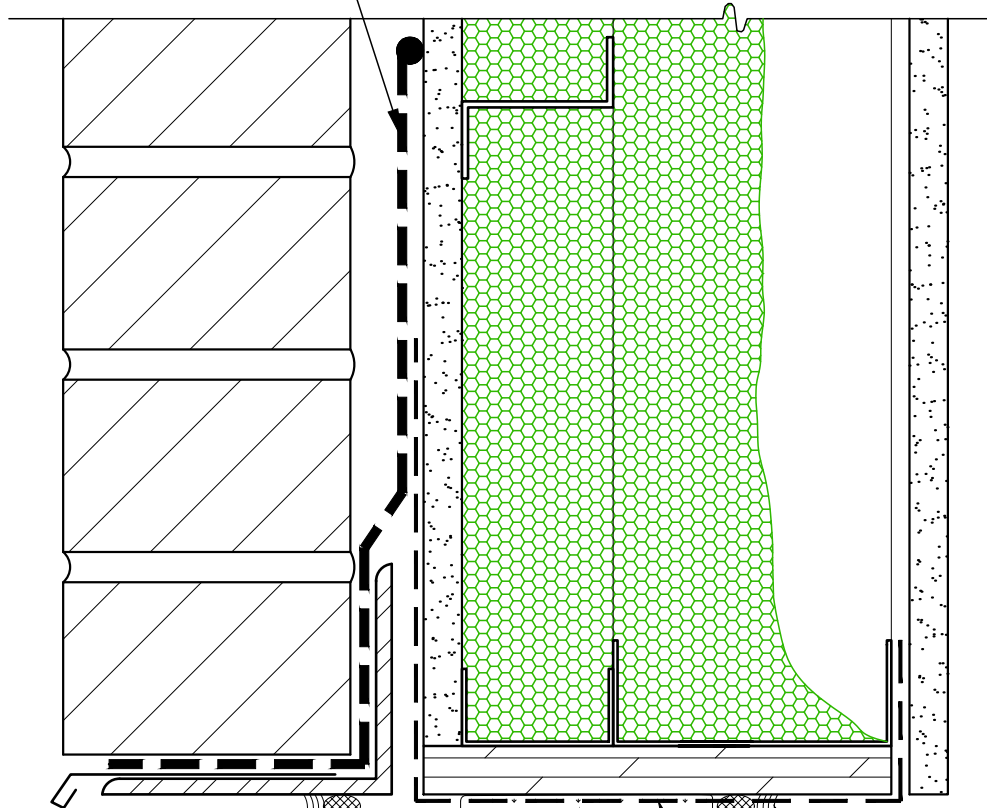
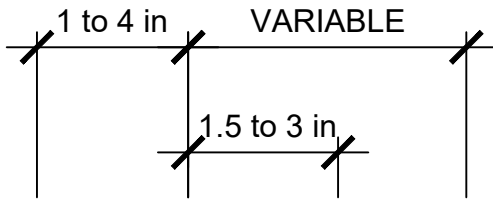


WINDOW JAMB
BRICK SIDING

Date: 03-05-2022

SCALE: 1:2.5

FLEXIBLE FLASHING
(SEE NOTES A & C)



CAULKING WITH
BACKER ROD AT
PERIMETER

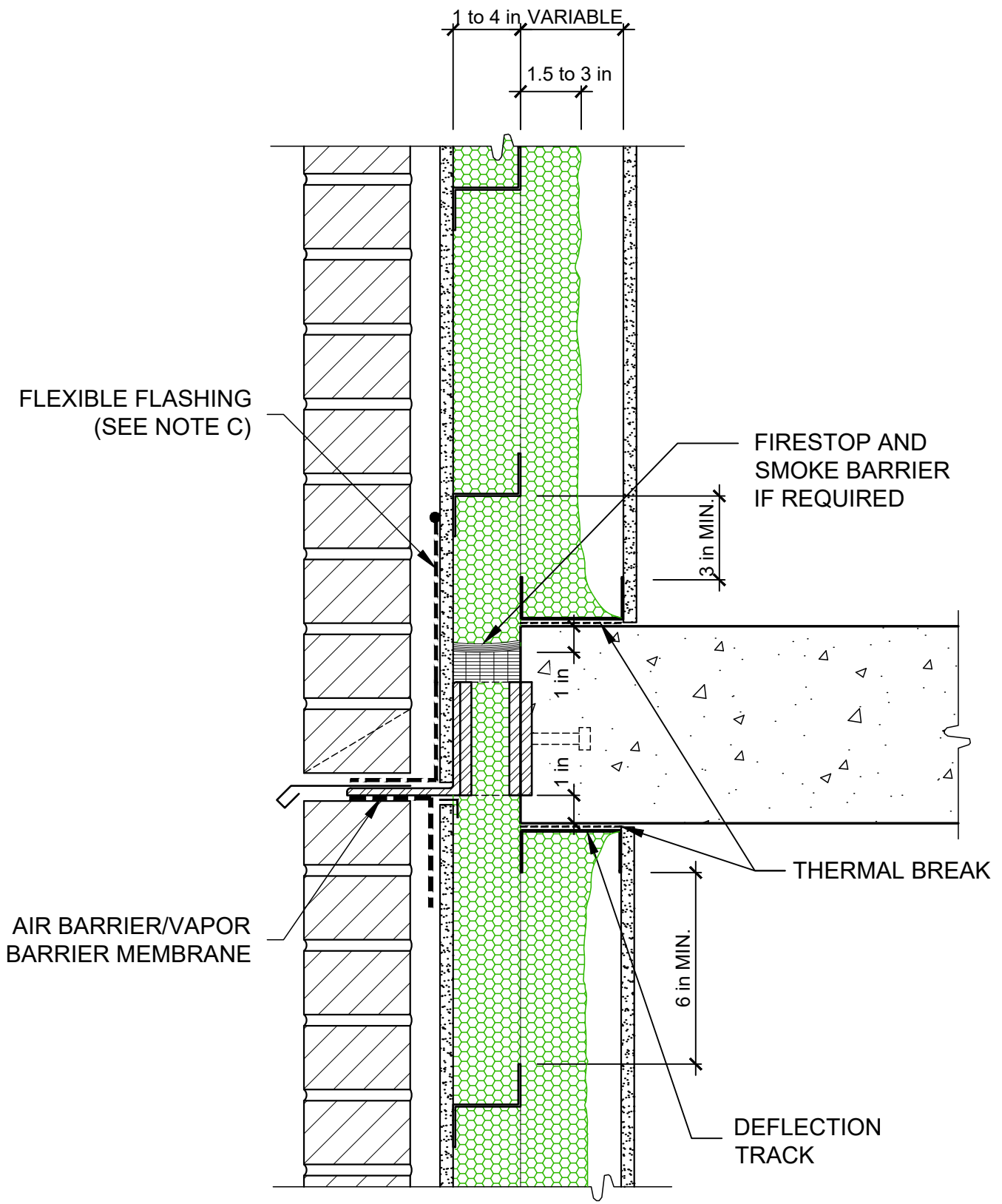
ONE COMPONENT PORTABLE
POLYURETHANE FOAM

AIR BARRIER/VAPOR
BARRIER MEMBRANE
(SEE NOTE C)

TOP OF WINDOW
BRICK SIDING

Date: 03-05-2022

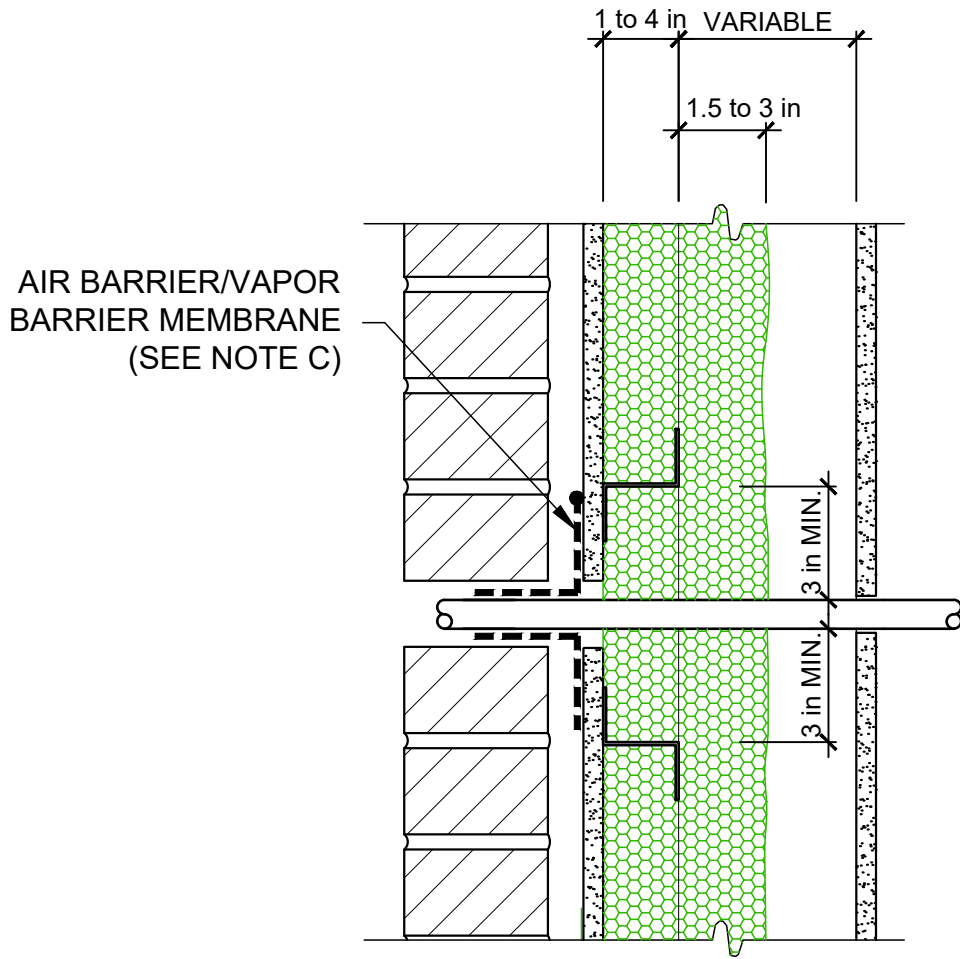
SCALE: 1:2.5



FLOOR JUNCTION
BRICK SIDING

Date: 03-05-2022

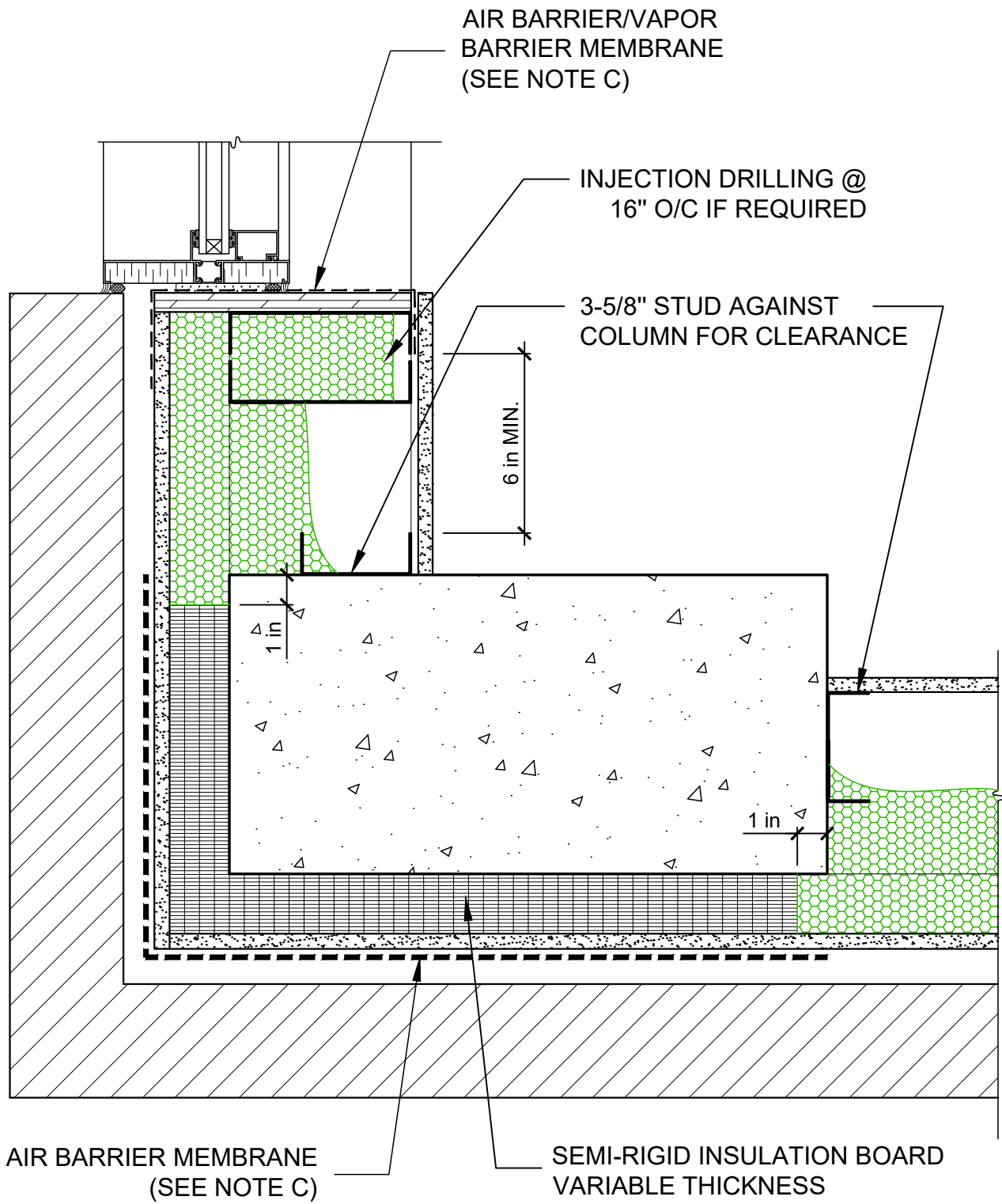
SCALE : 1:5



DETAIL AT WALL PENETRATION
BRICK SIDING

Date: 03-05-2022

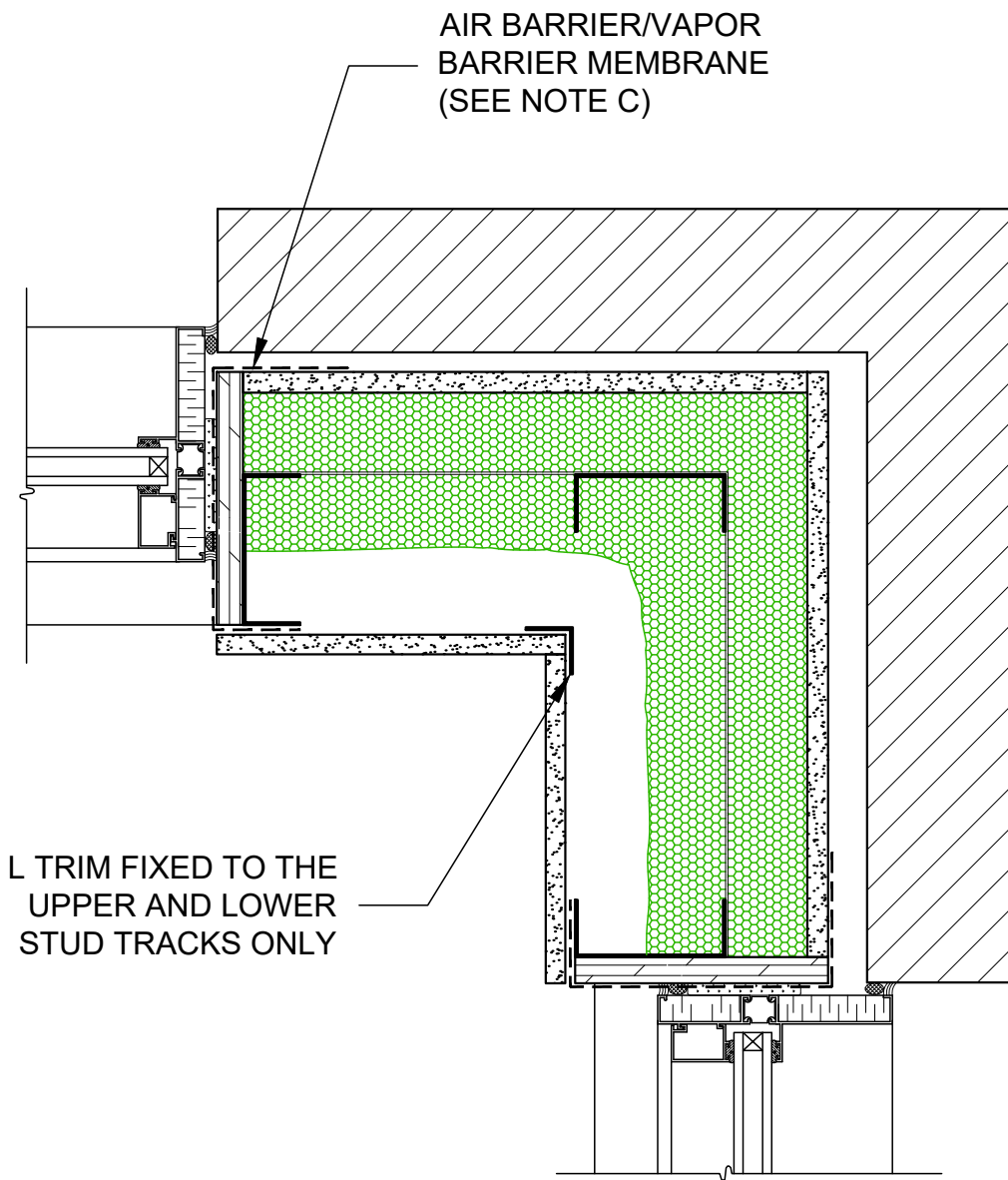
SCALE : 1:5



COLUMN AND WALL JUNCTION - BUILDING CORNER
BRICK SIDING

Date: 03-05-2022

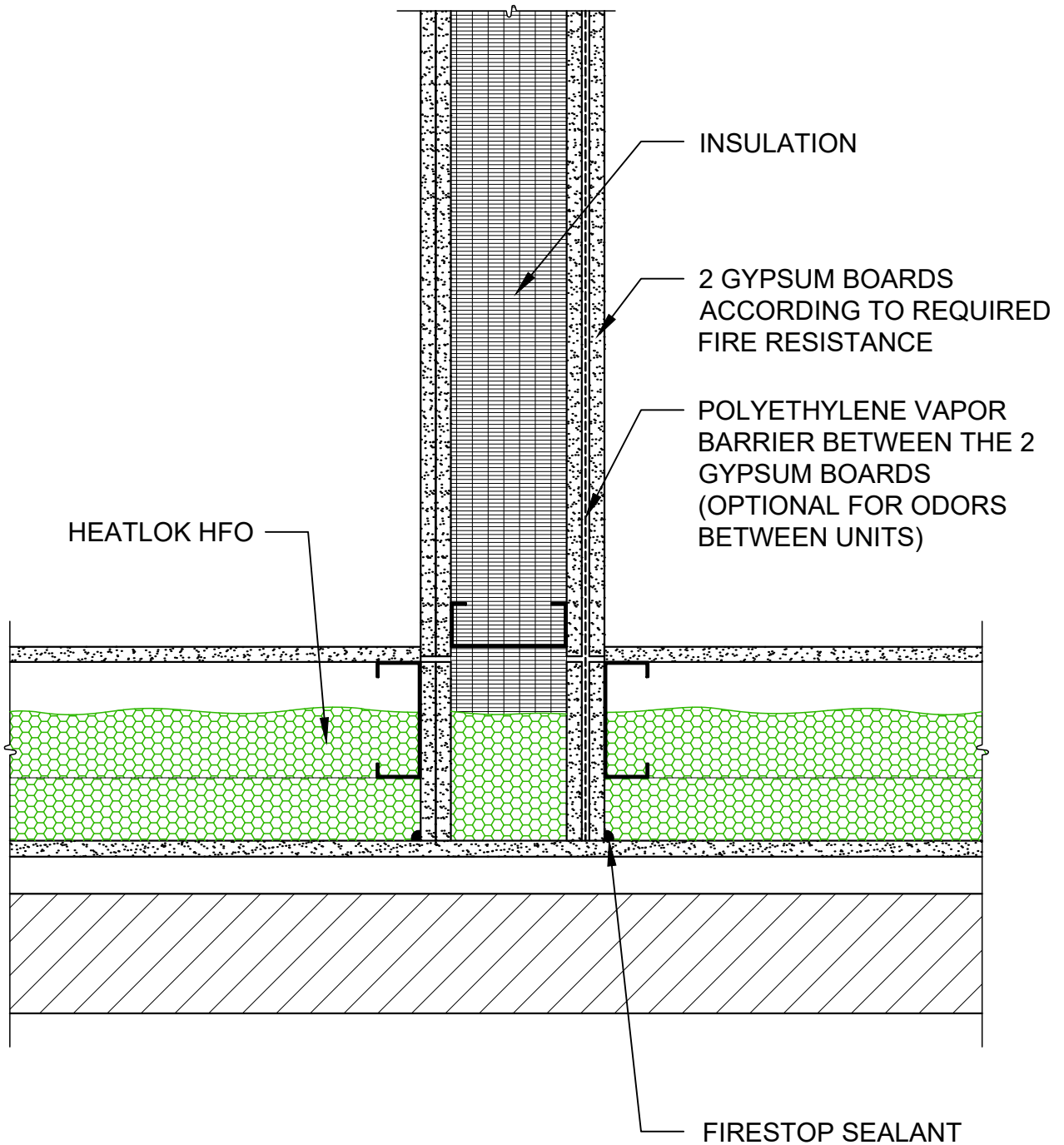
SCALE : 1:5



BUILDING CORNER STUD PLACEMENT
BRICK SIDING

Date: 03-05-2022

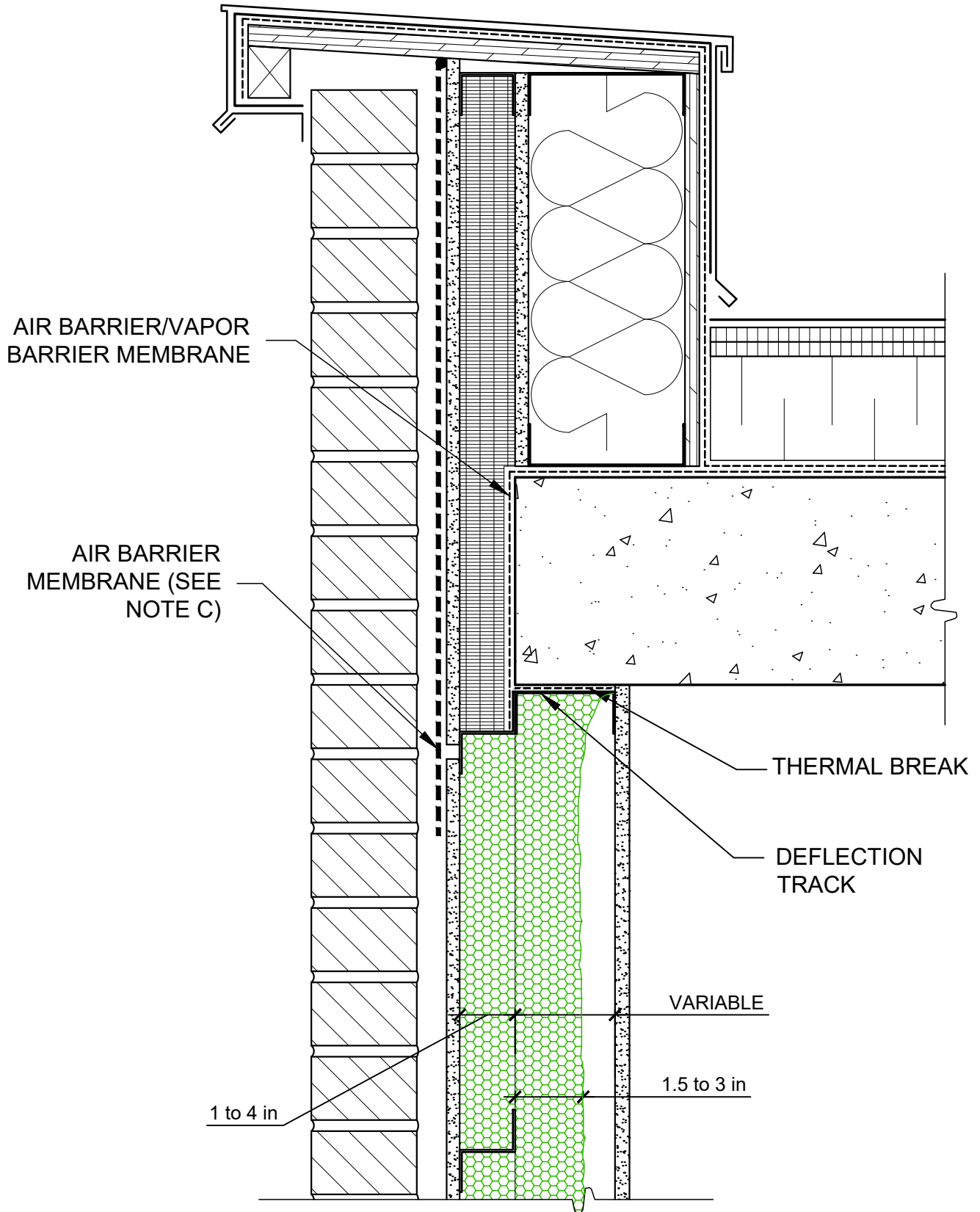
SCALE : 1:5



FIRE SEPARATION
BRICK SIDING

Date: 03-05-2022

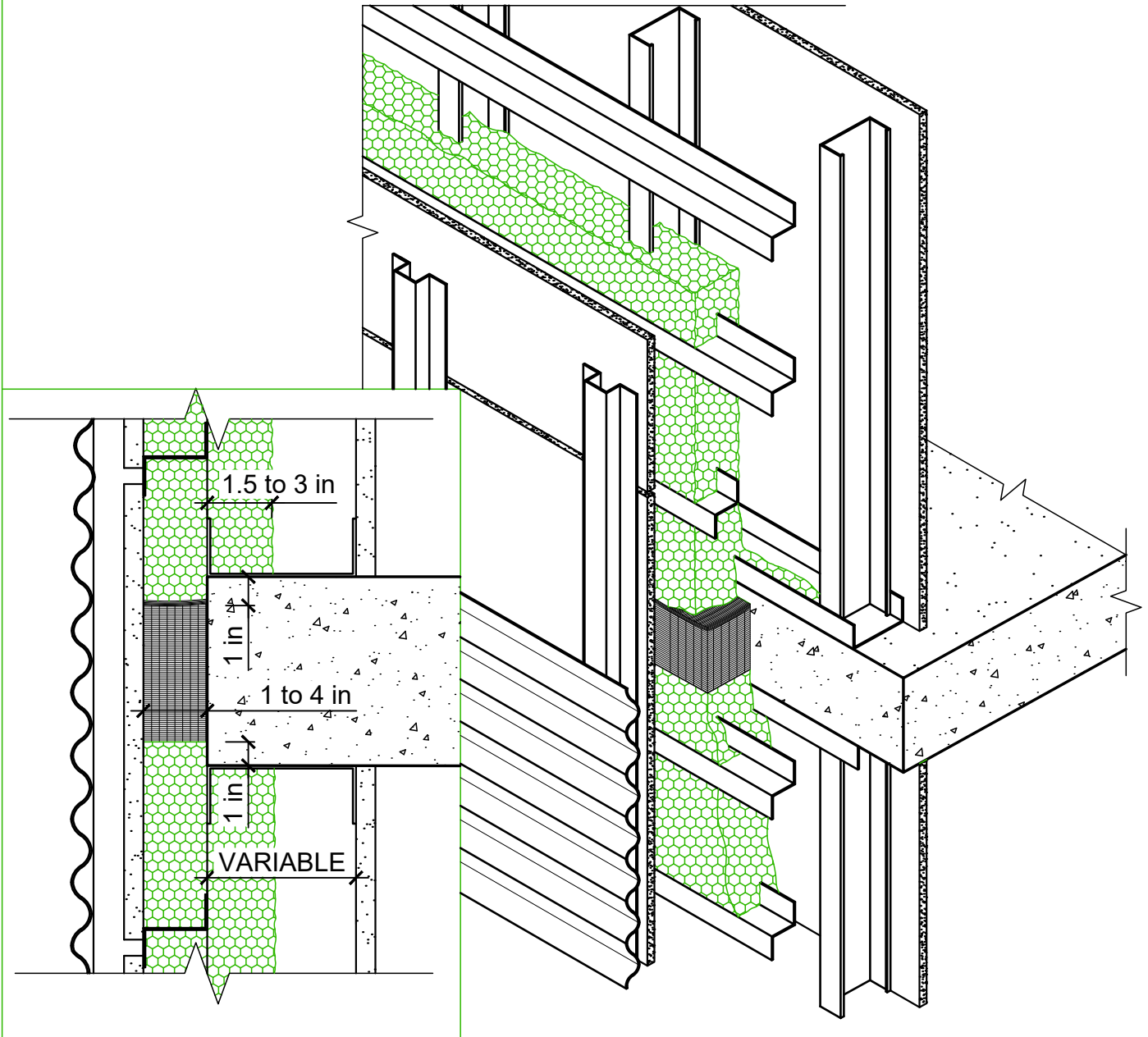
SCALE : 1:5



DETAIL AT SUPPORT BEAM, PARAPET
BRICK SIDING

Date: 03-05-2022

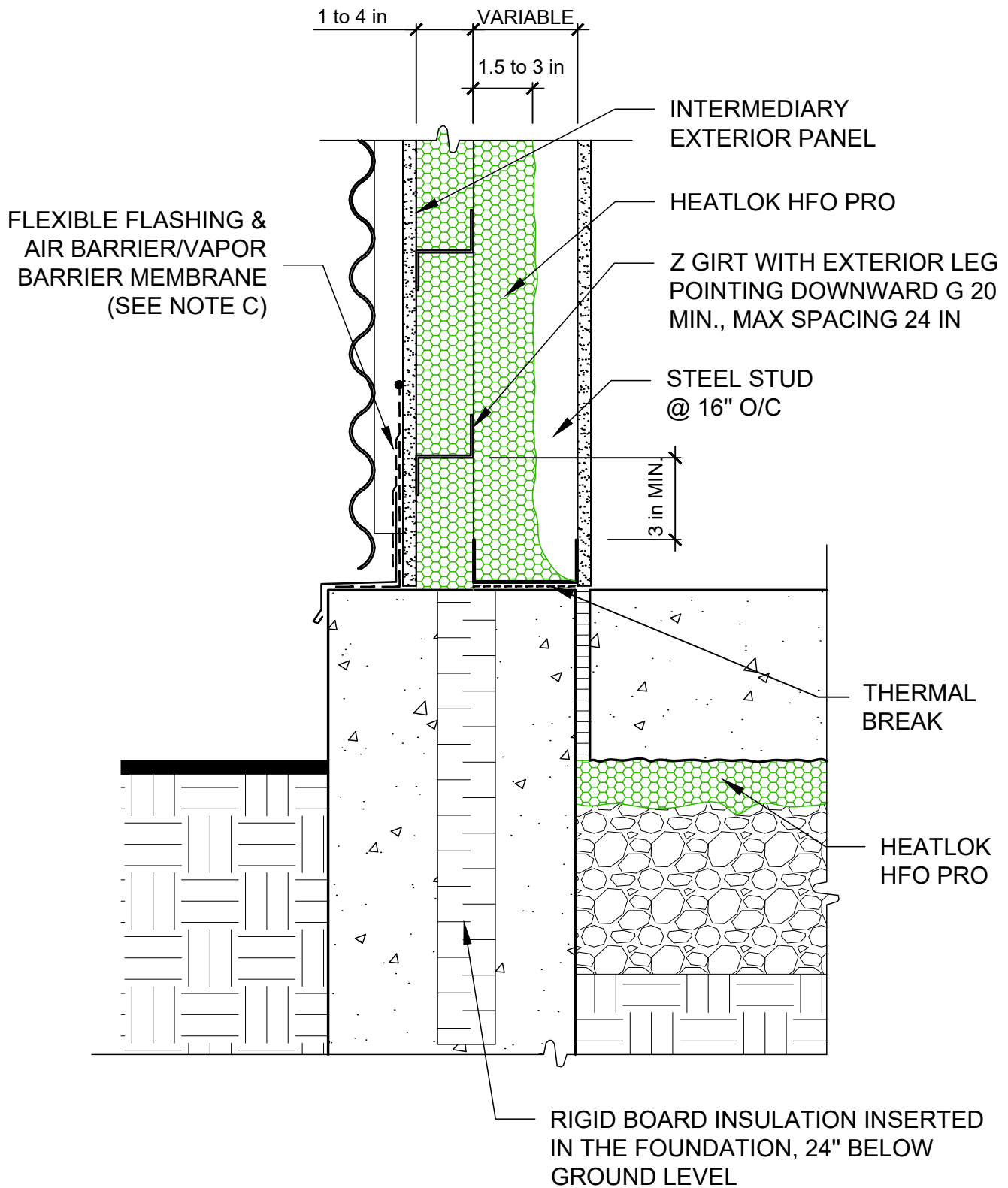
SCALE : 1:5



ISOMETRY
LIGHTWEIGHT SIDING

Date:03-05-2022

Scale: Variable



THROUGH WALL MEMBRANE AT FOUNDATION
WALL JUNCTION - LIGHTWEIGHT SIDING

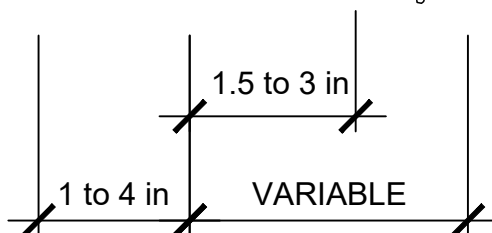
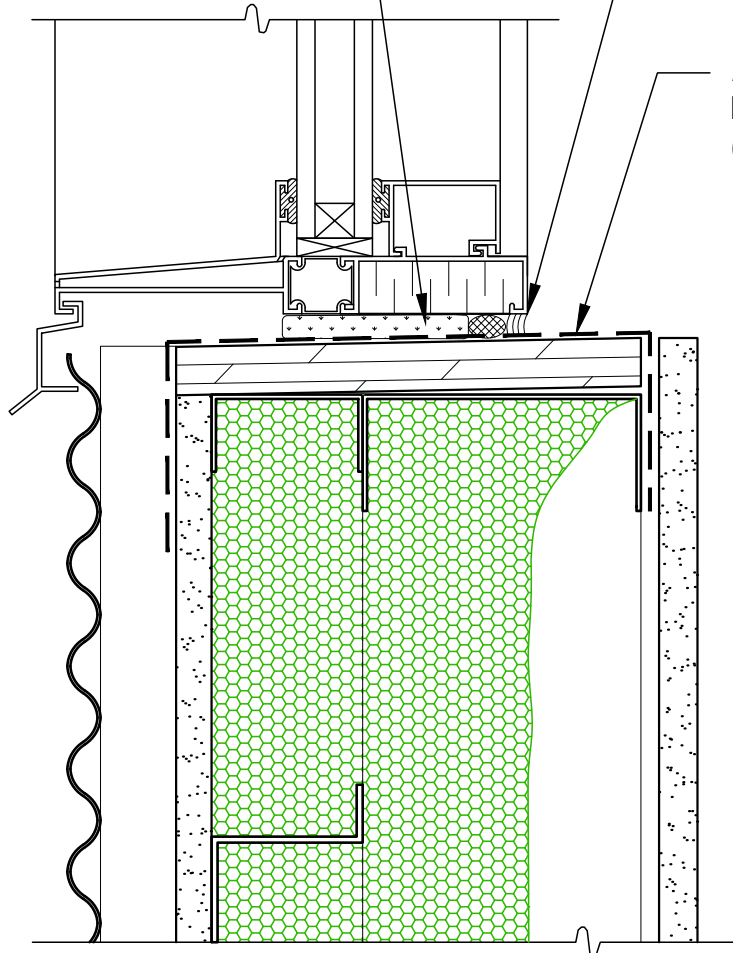
Date: 03-05-2022

SCALE : 1:5

ONE COMPONENT PORTABLE
POLYURETHANE FOAM

CAULKING WITH
BACKER ROD AT
PERIMETER

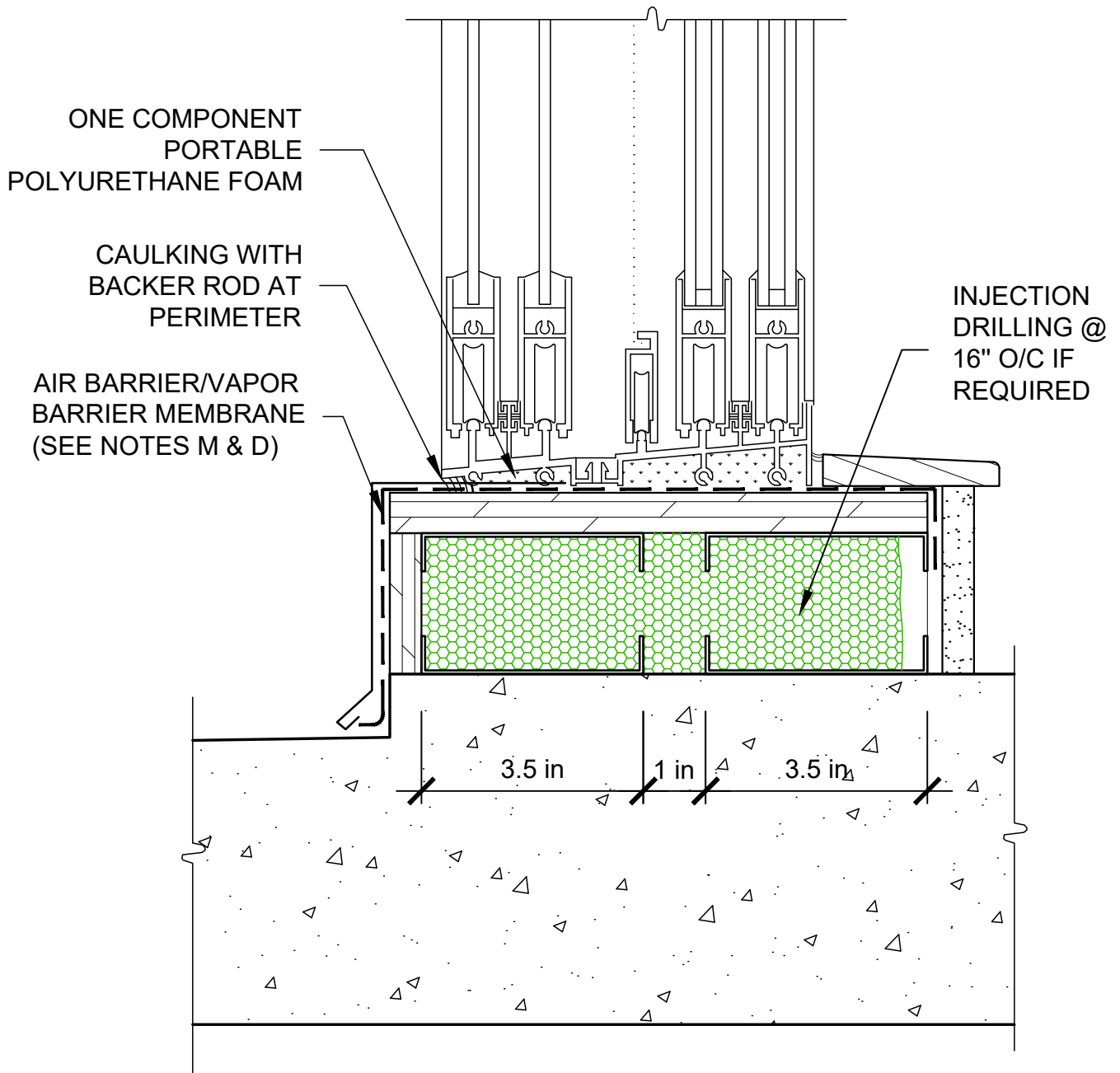
AIR BARRIER/VAPOR
BARRIER MEMBRANE
(SEE NOTES B & C)



WINDOW SILL
LIGHTWEIGHT SIDING

Date: 03-05-2022

SCALE: 1:2.5

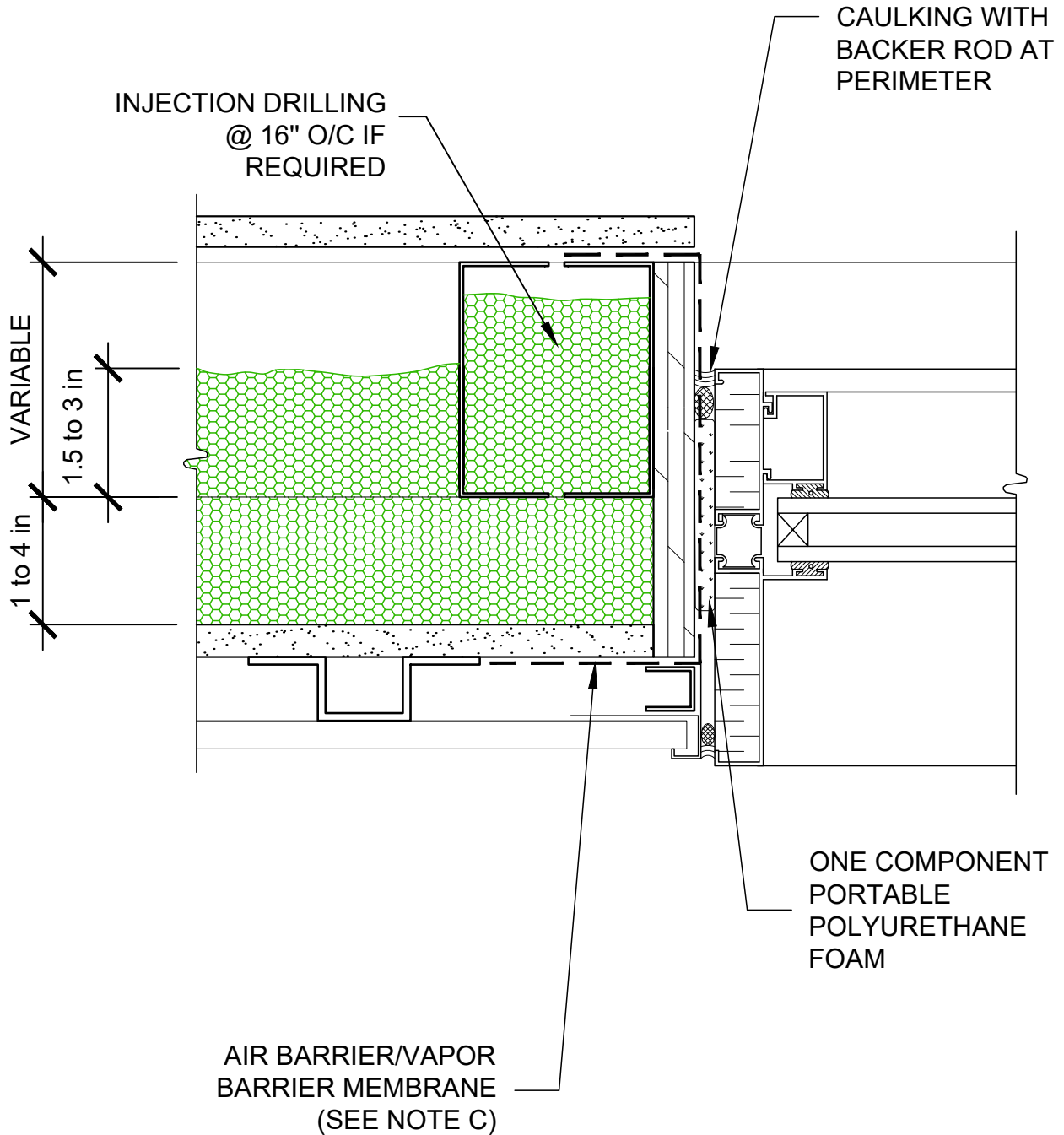


PATIO DOOR SILL
 LIGHTWEIGHT SIDING

Date: 03-05-2022

SCALE: 1:2.5

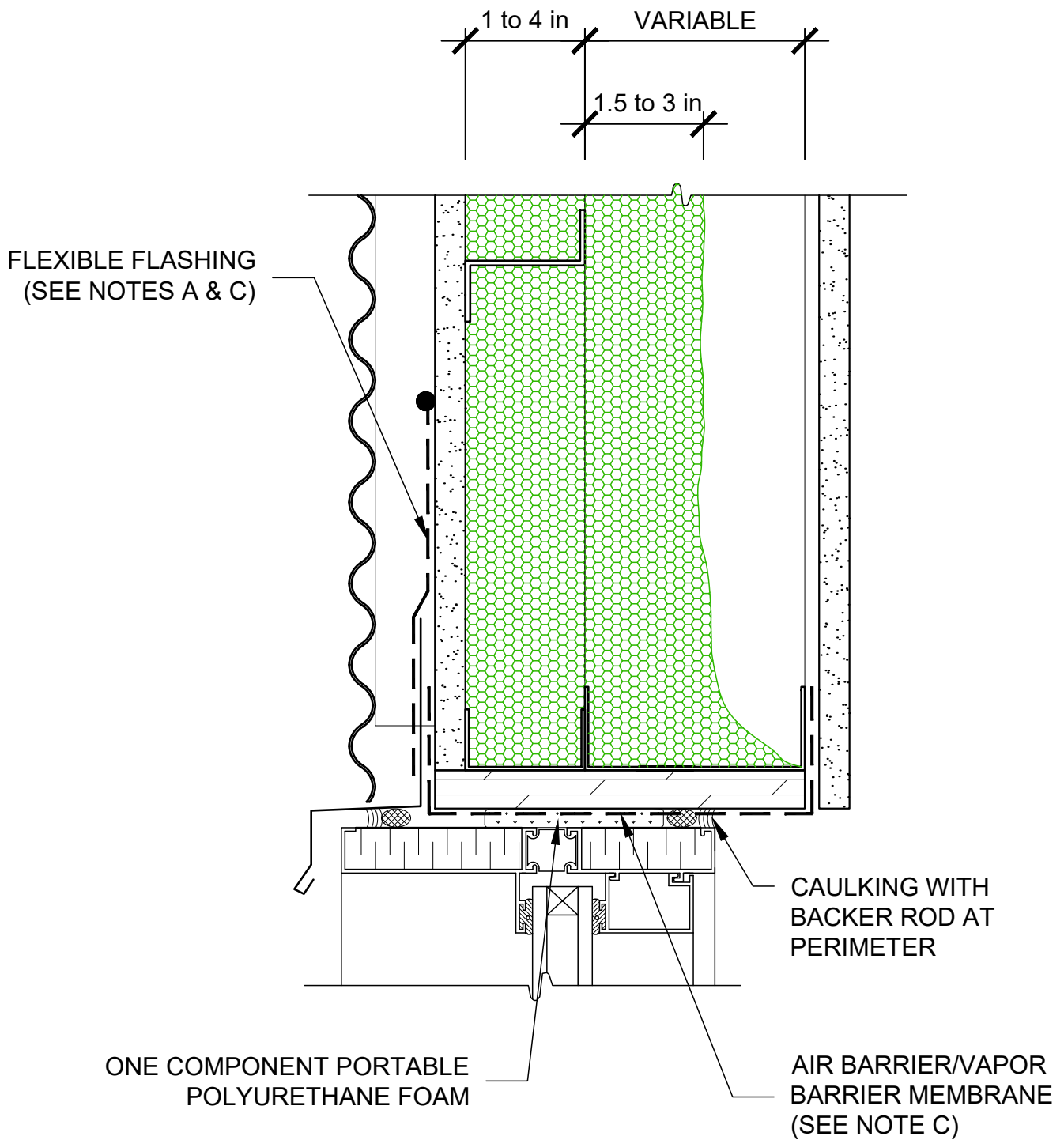
NOTE: FOR SUPPORT PURPOSES AT OPENINGS, THE WINDOW SUPPORT POSTS MAY BE DOUBLED AND INJECTED WITH HEATLOK HFO PRO.



WINDOW JAMB
LIGHTWEIGHT SIDING

Date: 03-05-2022

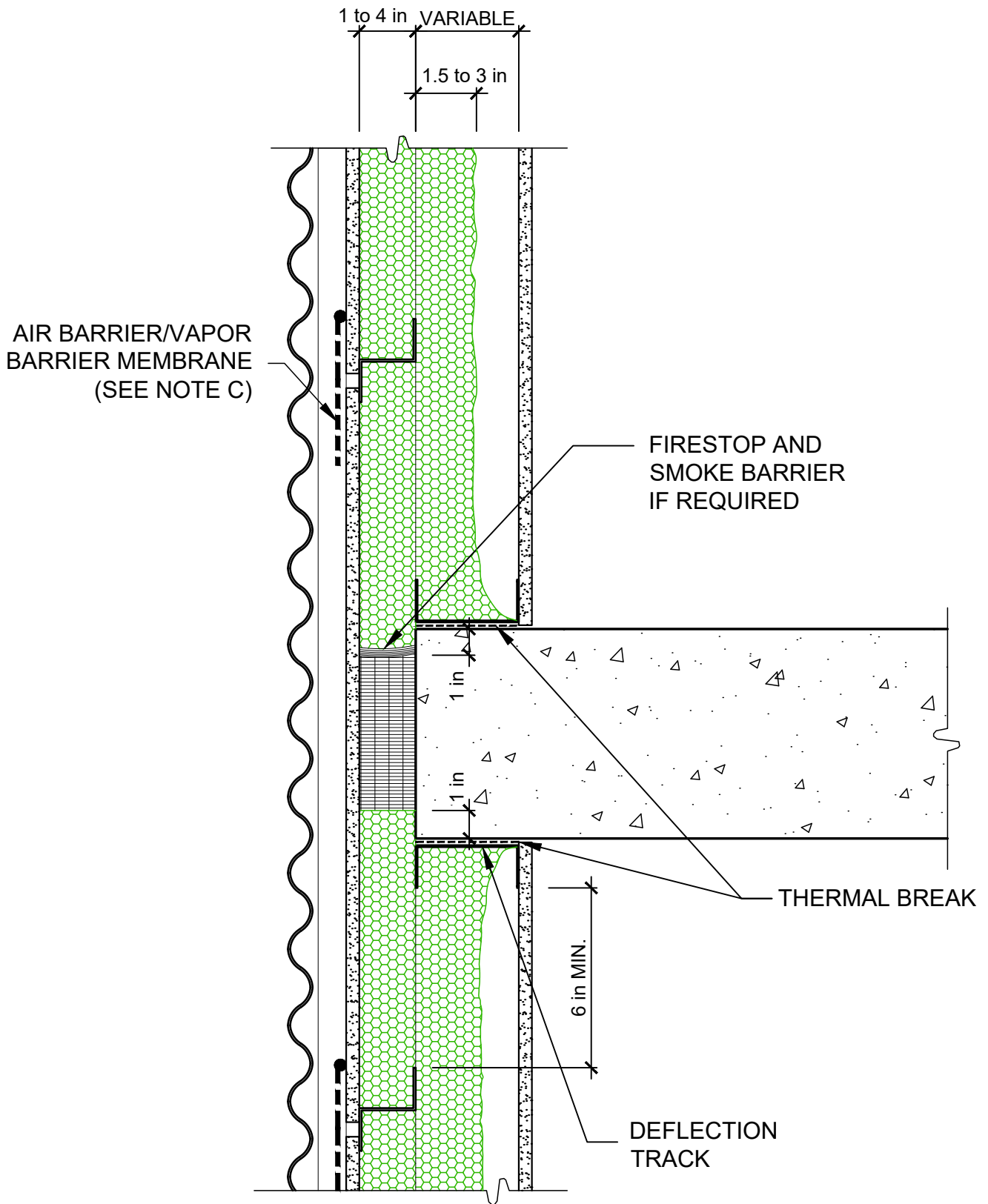
SCALE: 1:2.5



TOP OF WINDOW
LIGHTWEIGHT SIDING

Date: 03-05-2022

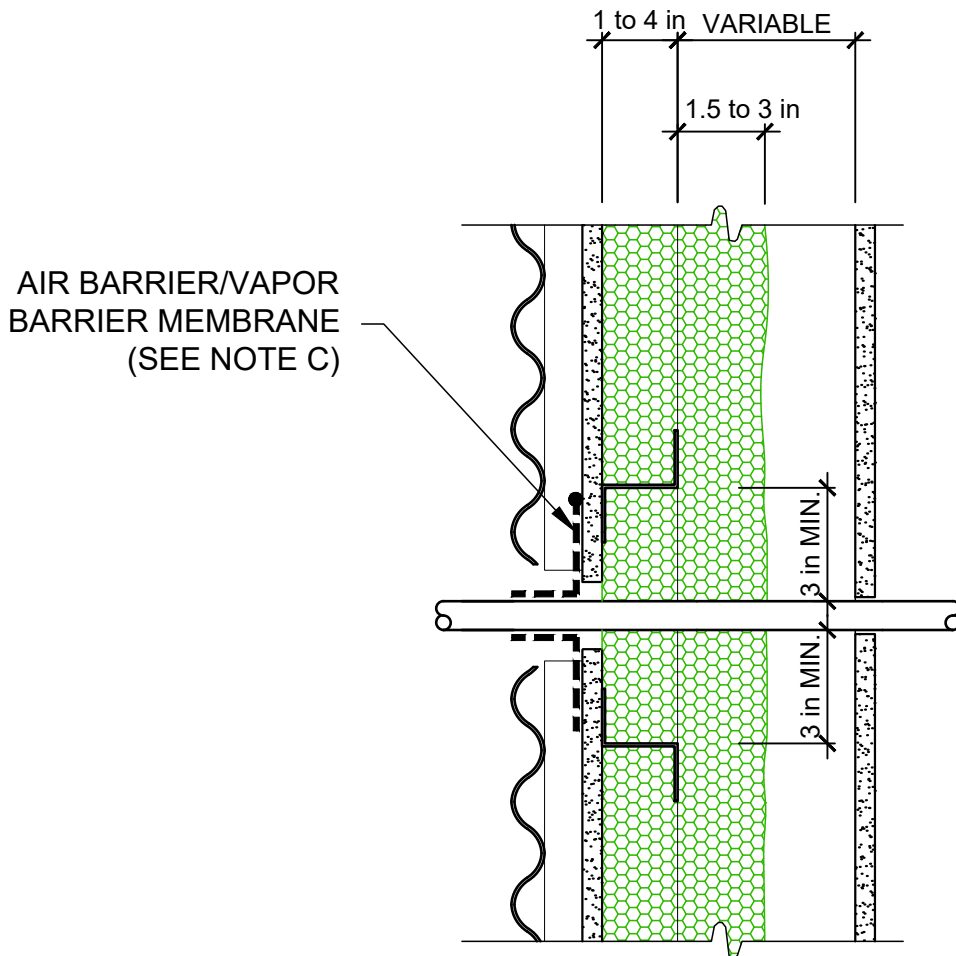
SCALE: 1:2.5



FLOOR JUNCTION
LIGHTWEIGHT SIDING

Date: 03-05-2022

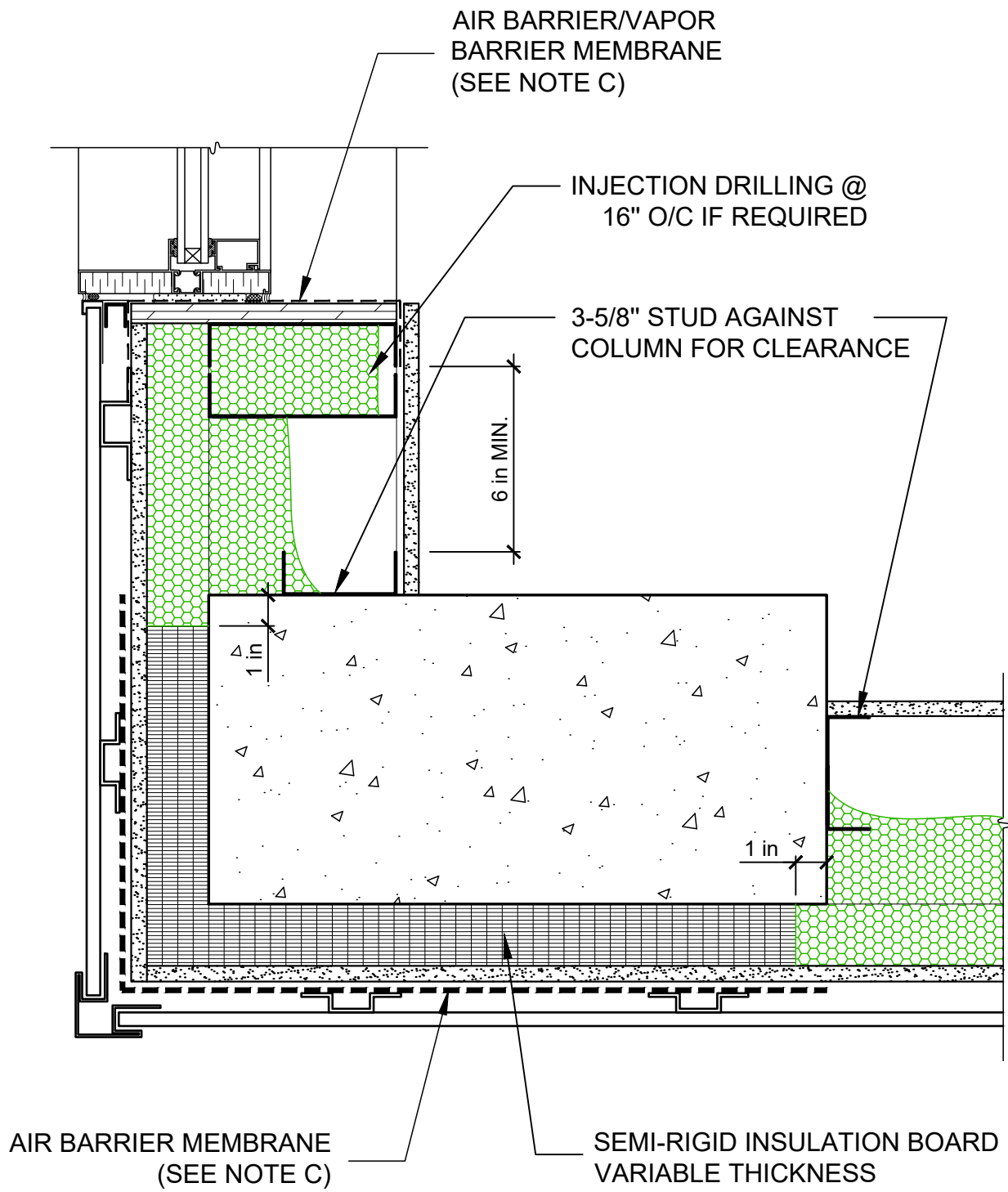
SCALE : 1:5



DETAIL AT WALL PENETRATION
LIGHTWEIGHT SIDING

Date: 03-05-2022

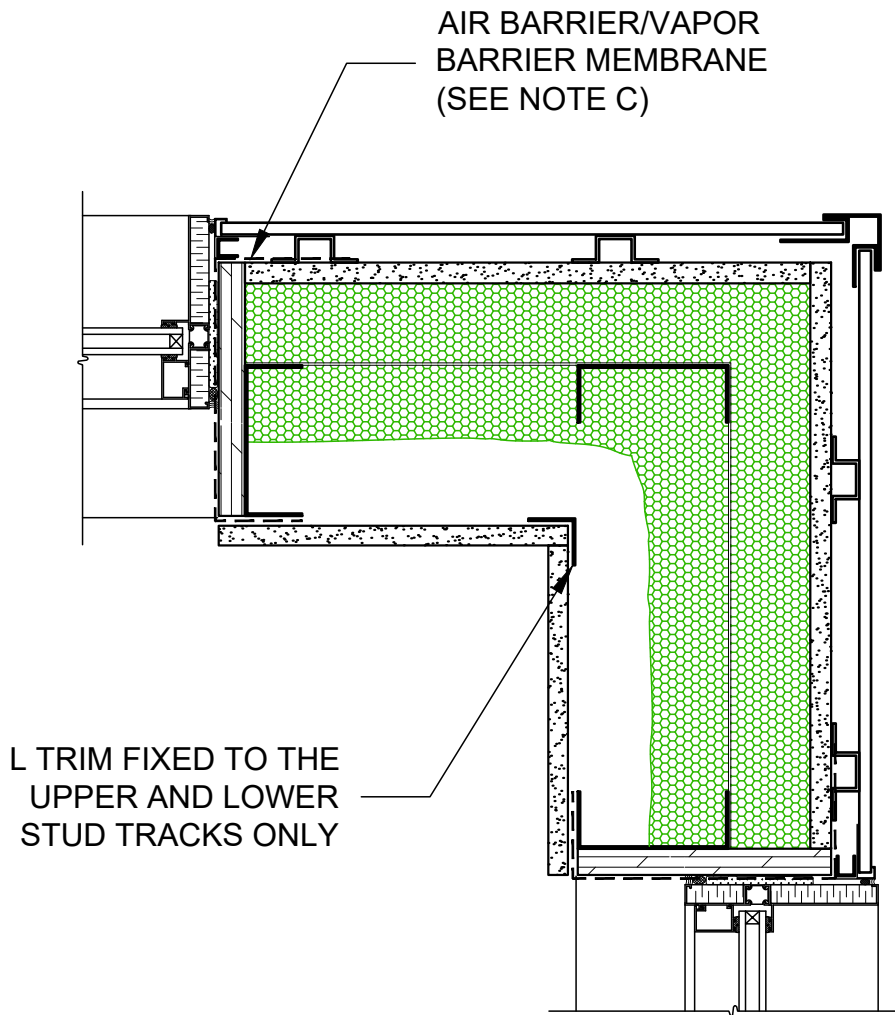
SCALE : 1:5



COLUMN AND WALL JUNCTION - BUILDING CORNER
 LIGHTWEIGHT SIDING

Date: 03-05-2022

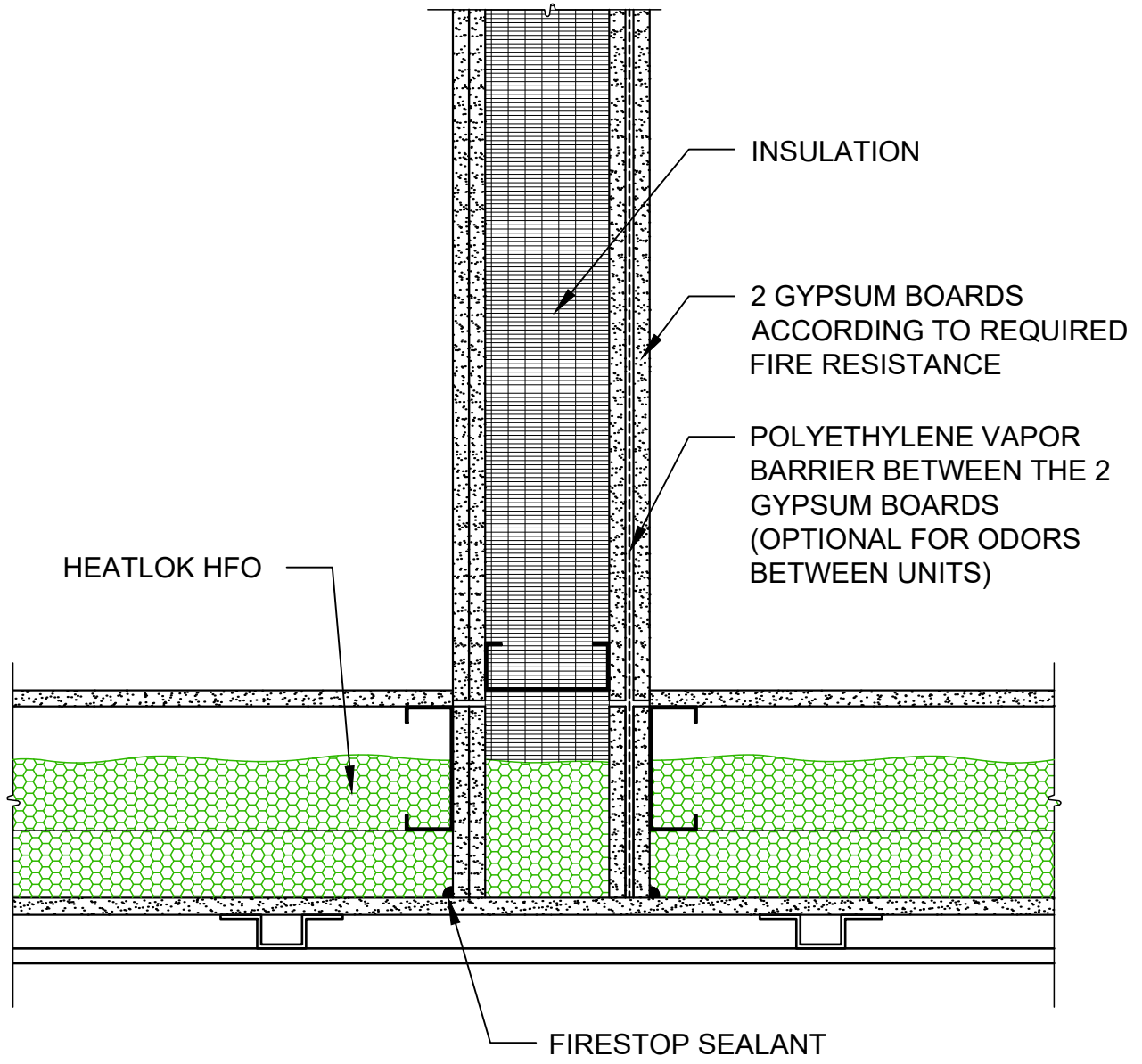
SCALE : 1:5



BUILDING CORNER STUD PLACEMENT
LIGHTWEIGHT SIDING

Date: 03-05-2022

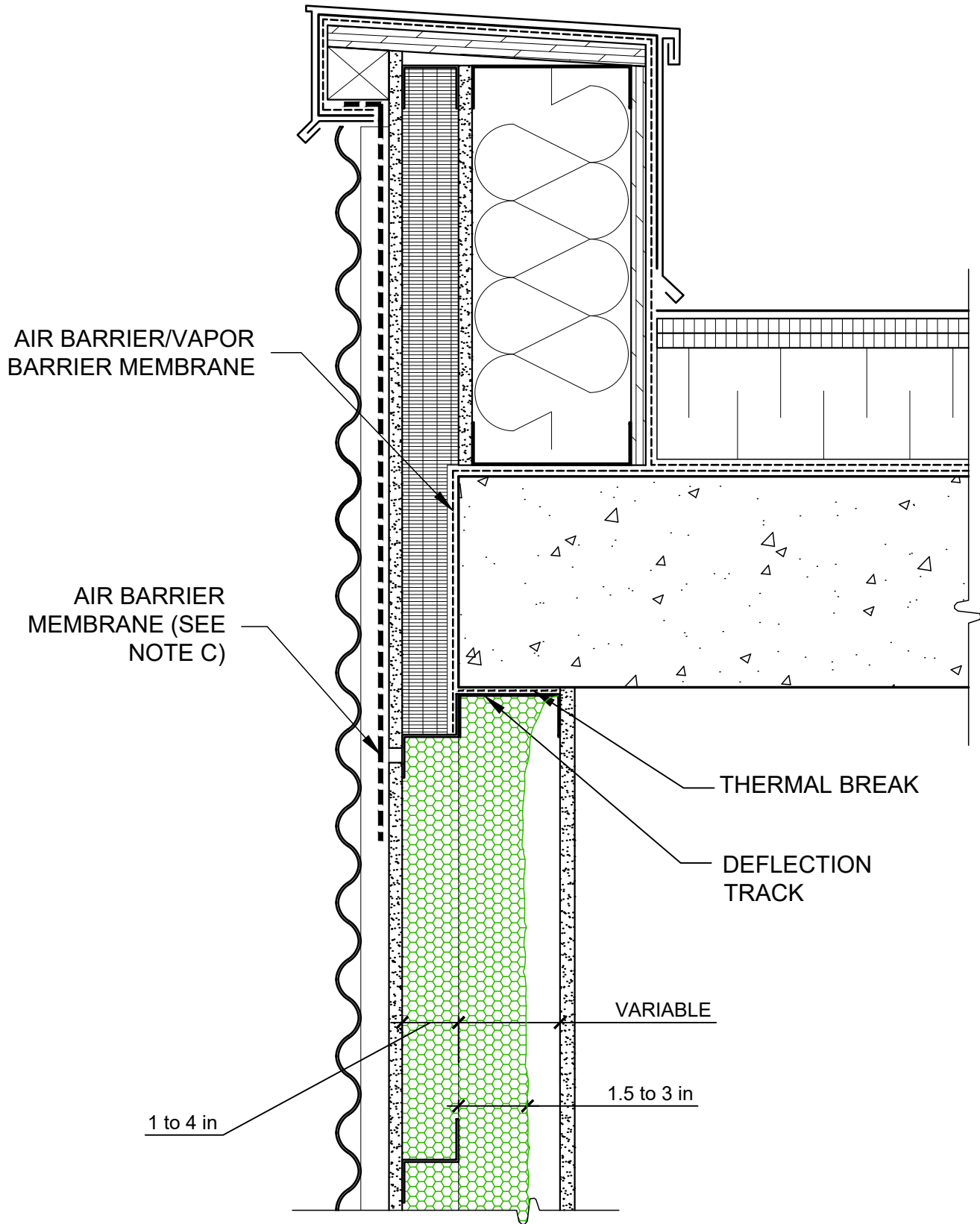
SCALE : 1:5



FIRE SEPARATION
LIGHTWEIGHT SIDING

Date: 03-05-2022

SCALE : 1:5



DETAIL AT SUPPORT BEAM, PARAPET
LIGHTWEIGHT SIDING

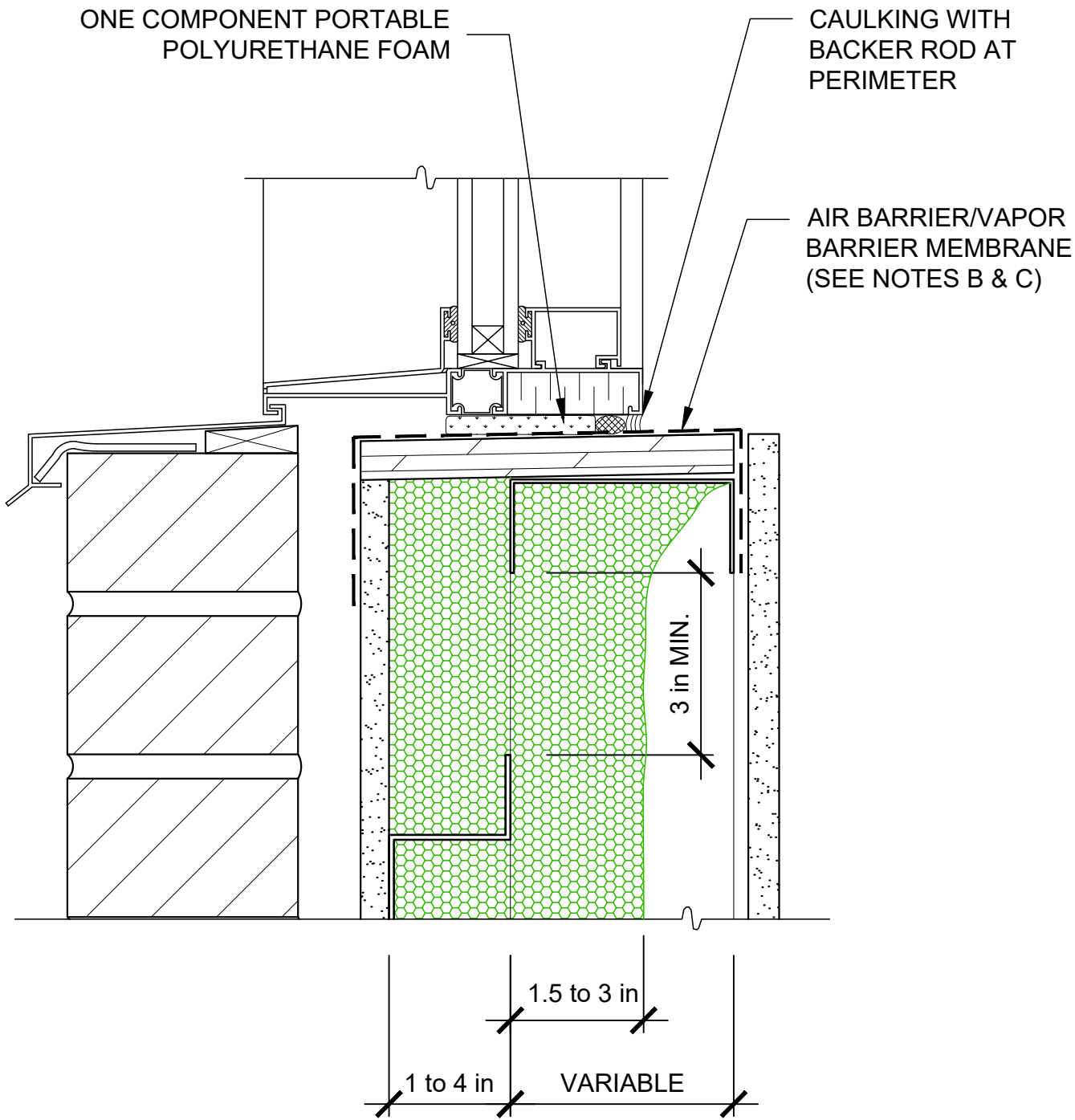
Date: 03-05-2022

SCALE : 1:5

OPTIONS

Date: 03-05-2022

OPTION



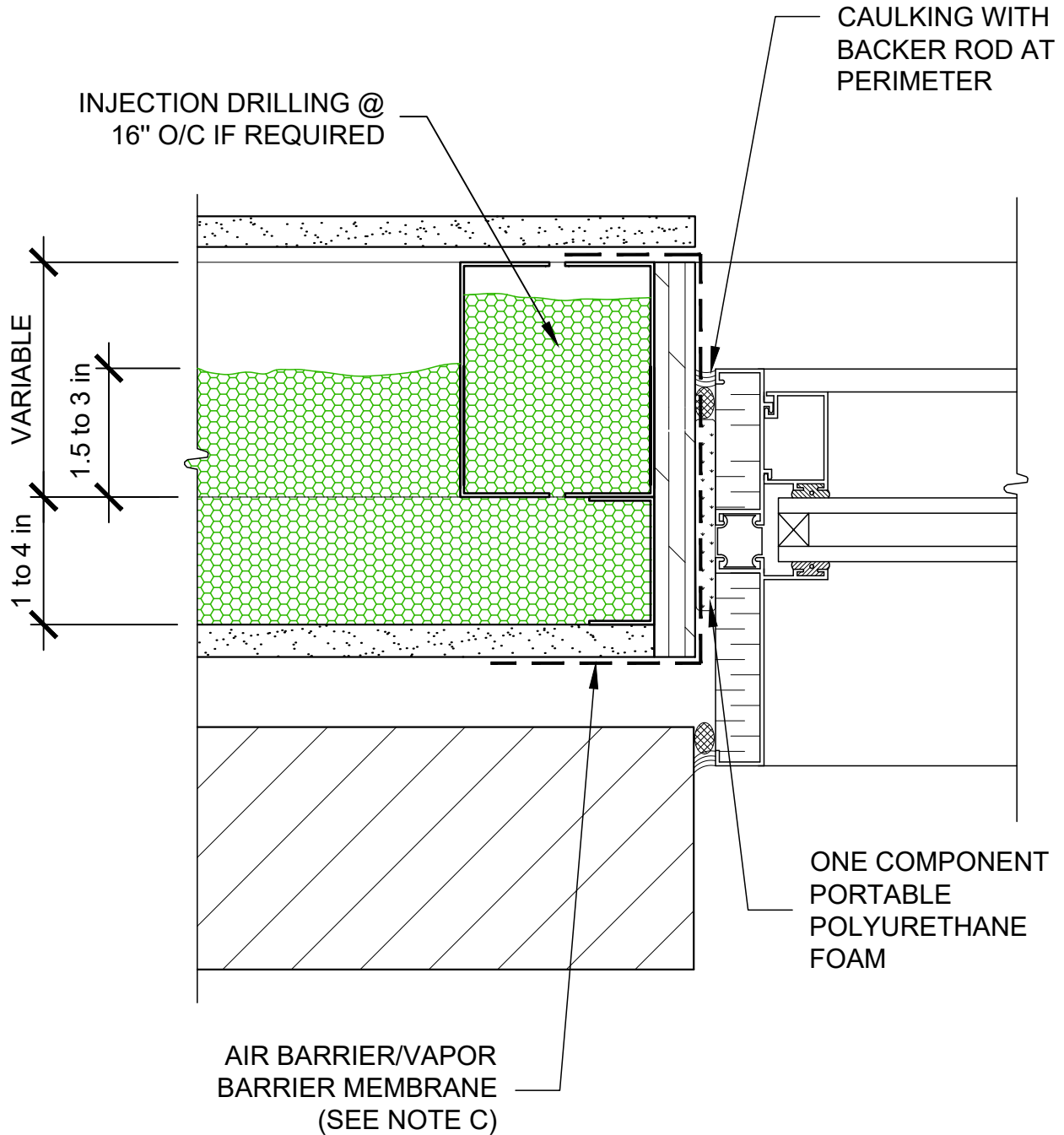
WINDOW SILL
BRICK SIDING

Date: 03-05-2022

SCALE: 1:2.5

NOTE: FOR SUPPORT PURPOSES AT OPENINGS, THE WINDOW SUPPORT POSTS MAY BE DOUBLED AND INJECTED WITH HEATLOK HFO PRO.

OPTION

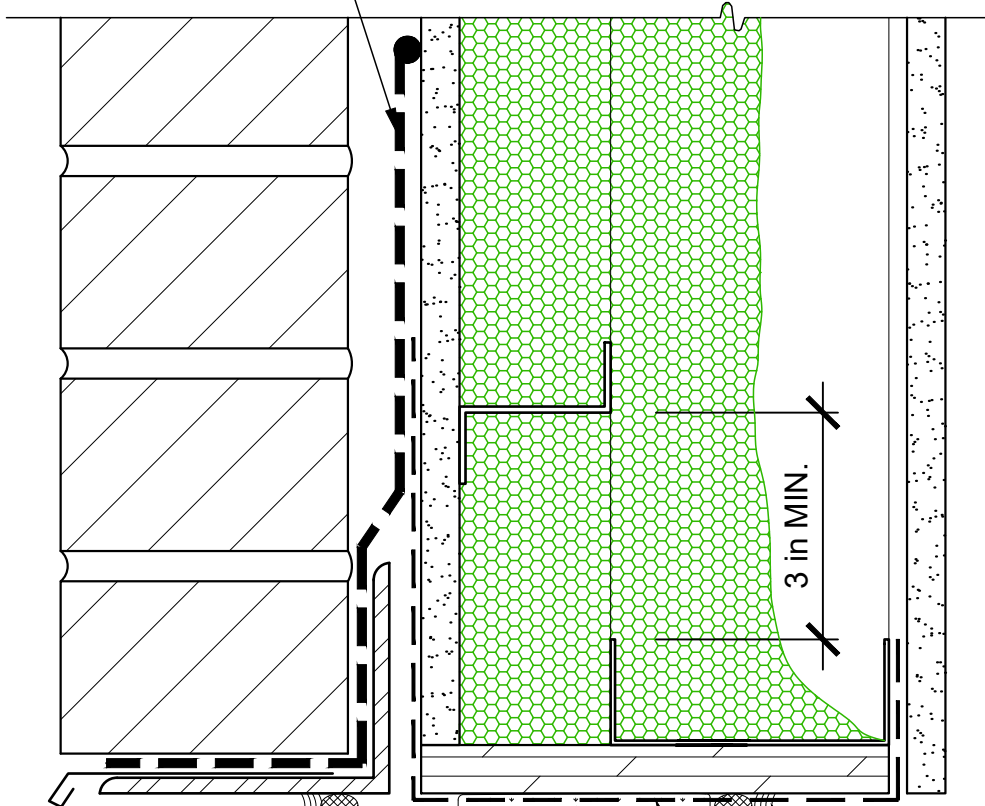
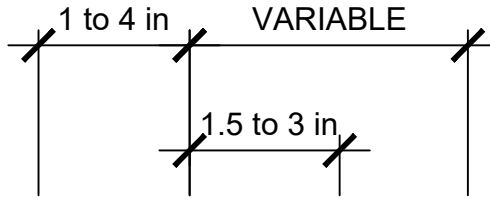


WINDOW JAMB
BRICK SIDING

Date: 03-05-2022

SCALE: 1:2.5

FLEXIBLE FLASHING
(SEE NOTES A & C)



CAULKING WITH
BACKER ROD AT
PERIMETER

ONE COMPONENT PORTABLE
POLYURETHANE FOAM

AIR BARRIER/VAPOR
BARRIER MEMBRANE
(SEE NOTE C)

TOP OF WINDOW
BRICK SIDING

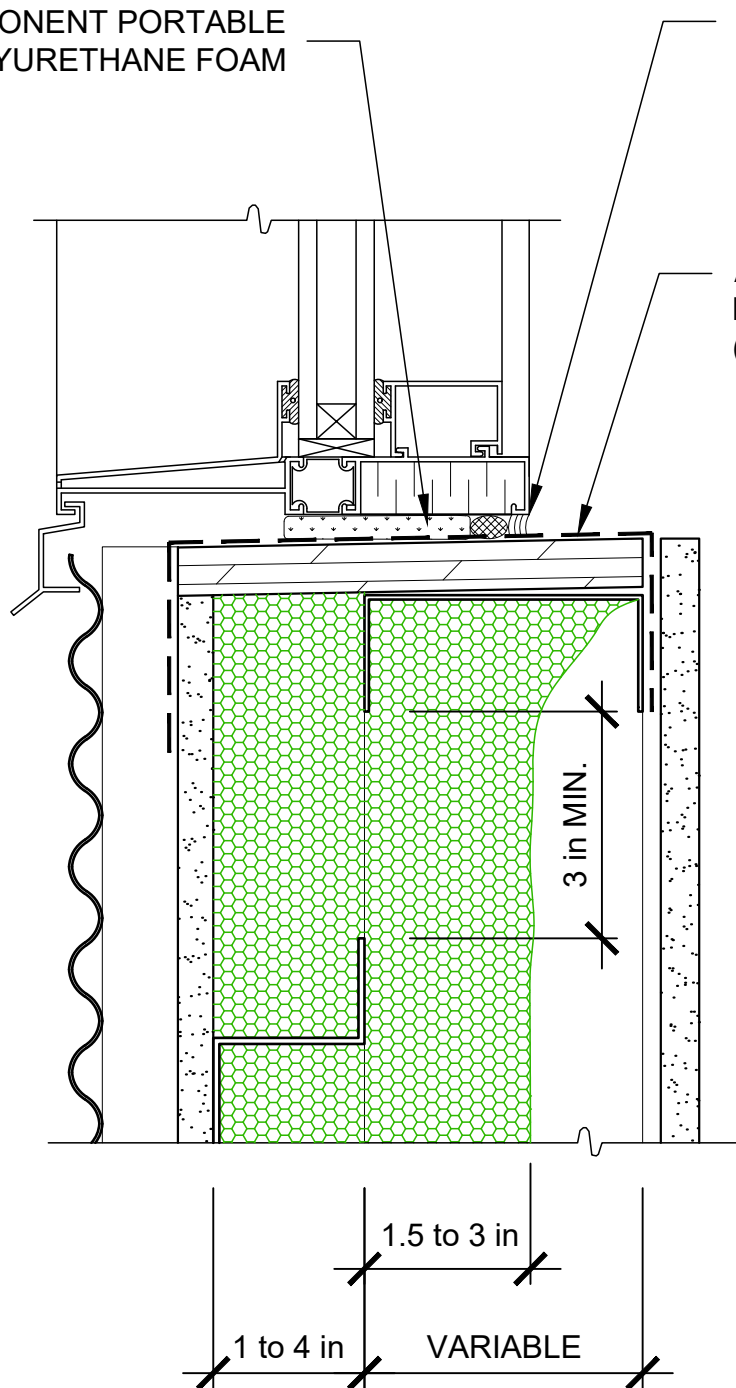
Date: 03-05-2022

SCALE: 1:2.5

ONE COMPONENT PORTABLE
POLYURETHANE FOAM

CAULKING WITH
BACKER ROD AT
PERIMETER

AIR BARRIER/VAPOR
BARRIER MEMBRANE
(SEE NOTES B & C)



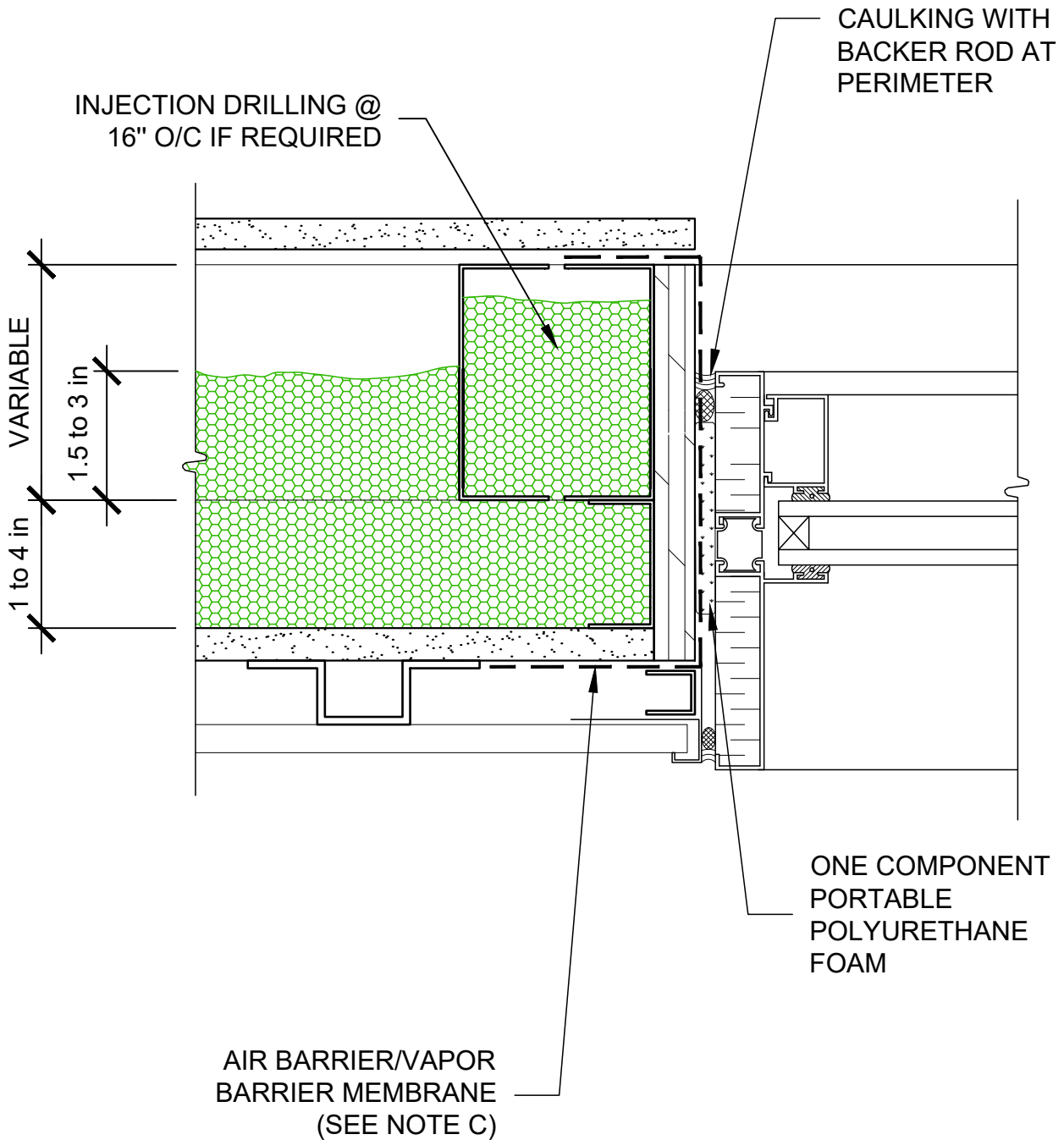
WINDOW SILL
LIGHTWEIGHT SIDING

Date: 03-05-2022

SCALE: 1:2.5

NOTE: FOR SUPPORT PURPOSES AT OPENINGS, THE WINDOW SUPPORT POSTS MAY BE DOUBLED AND INJECTED WITH HEATLOK HFO PRO.

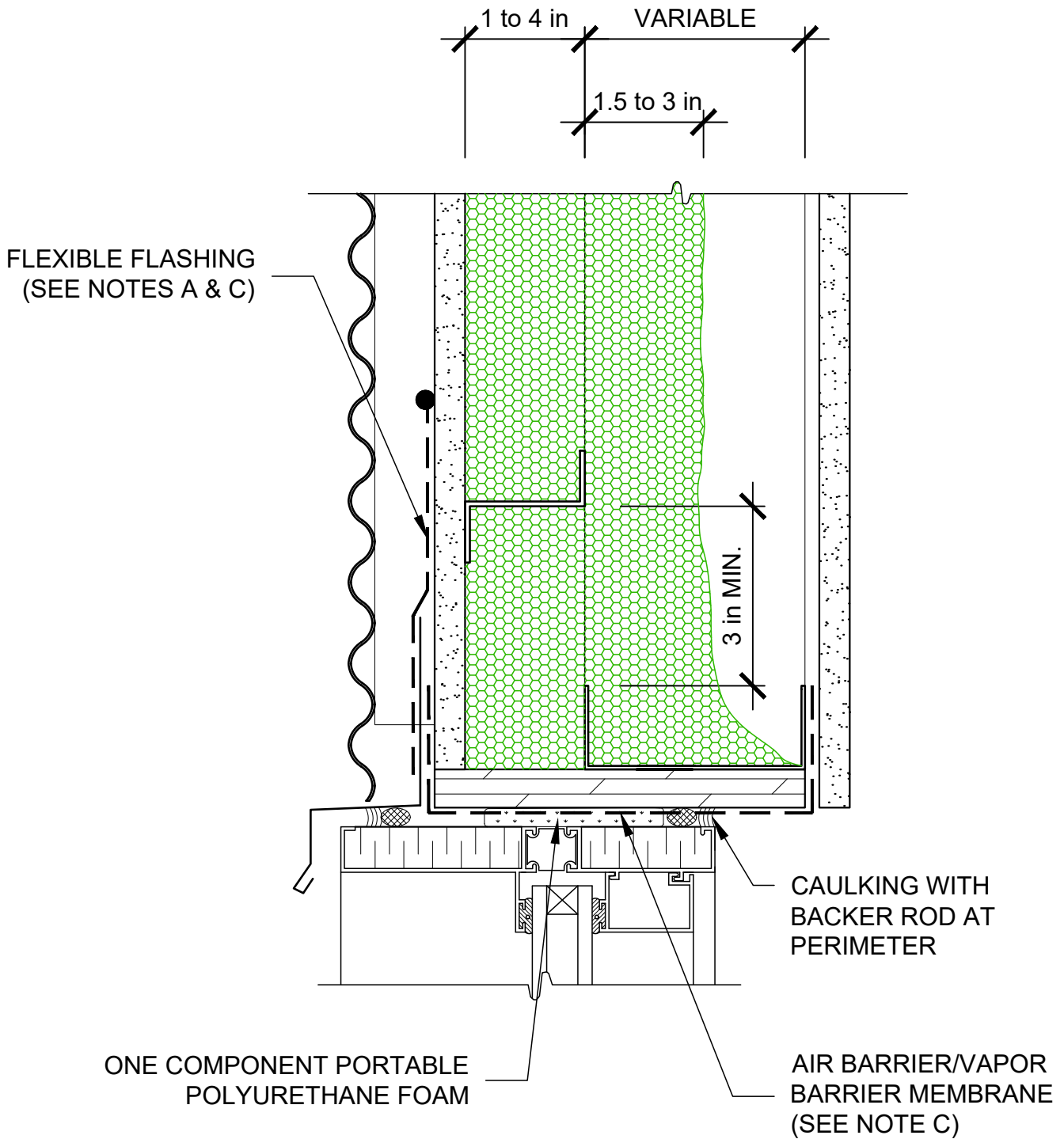
OPTION



WINDOW JAMB
LIGHTWEIGHT SIDING

Date: 03-05-2022

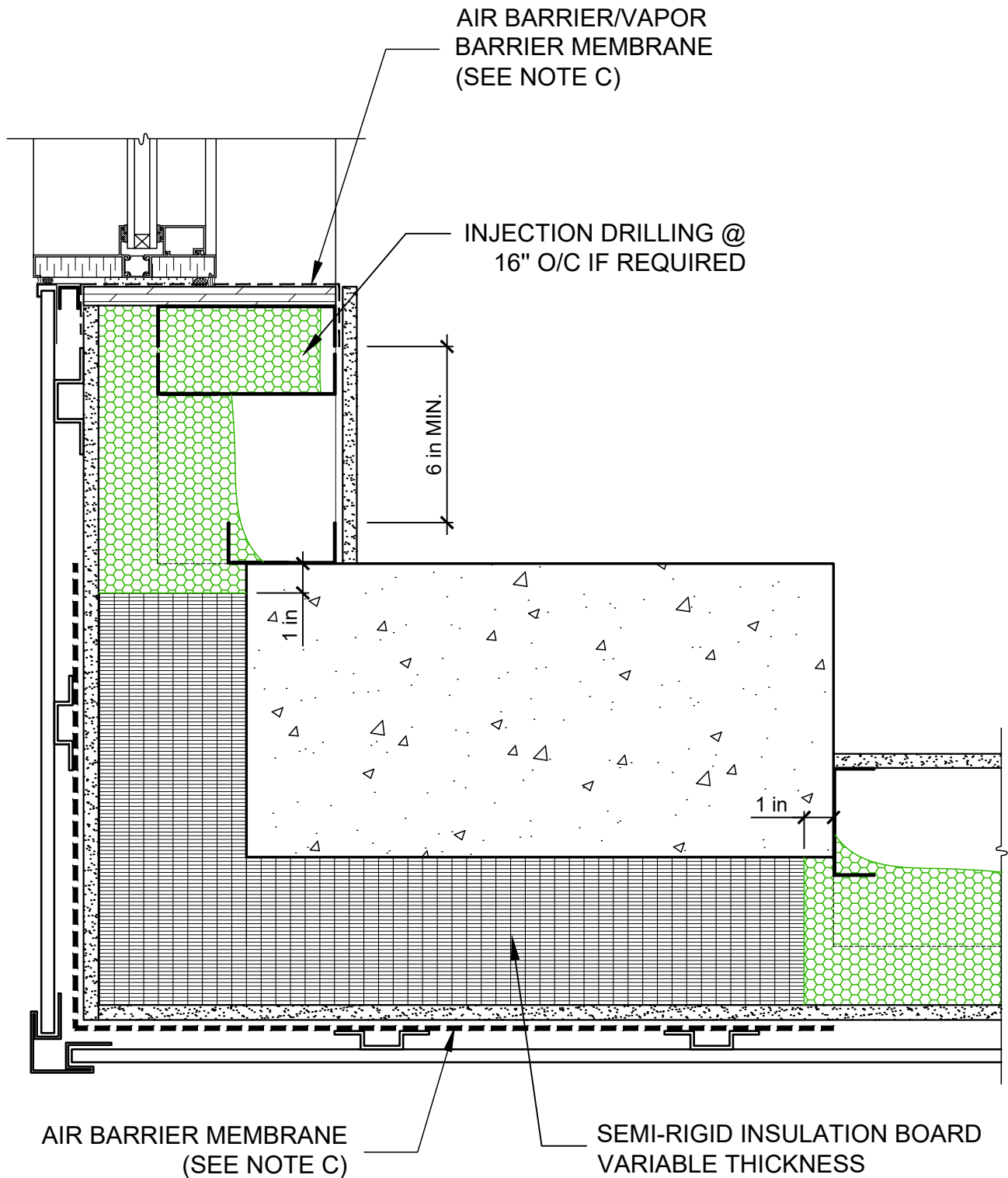
SCALE: 1:2.5



TOP OF WINDOW
LIGHTWEIGHT SIDING

Date: 03-05-2022

SCALE: 1:2.5



COLUMN AND WALL JUNCTION - BUILDING CORNER
LIGHTWEIGHT SIDING

Date: 03-05-2022

SCALE : 1:5

August 28th 2019

A/S Maxime Duzyk
Demilec
870, Curé Boivin
Boisbriand, Québec
J7G 2A7

Project: Z Bar wall section -- Demilec

As per your request and our discussions, you will find below our preliminary recommendation concerning the required Z bar thickness spaced at 24" c/c for different depth that varies from 1" to 5".

Design dead load: 6 lb/ft²

- Steel cladding: 1.5 lb/ft²
- 5/8" Glasroc pannel: 2.5 lb/ft²
- Omega bar: 0.5 lb/ft²
- Z bar: 0.5 lb/ft²
- Insulation: 1.0 lb/ft²

Z bar thickness required according to depth

- Depth from 1" to 2" : 20 gage required (0.0359")
- Depth from 2" to 3 1/2" : 18 gage required (0.0478")
- Depth from 3 1/2" to 5" : 16 gage required (0.0598")

These recommendations must be confirmed by the project stud wall structural engineer. He has to consider the project wind load acting on walls and dead load. The calculation of Z bar connexion to stud wall is the responsibility of the project stud wall structural engineer.

If you have any question, do not hesitate to contact the undersigned.



Ronald Beaucage eng.
Beaucage Experts-Conseils



D-Max Wall Assembly - Thermal Resistance in accordance with ASTM C1363 and ASHRAE 1365-RP

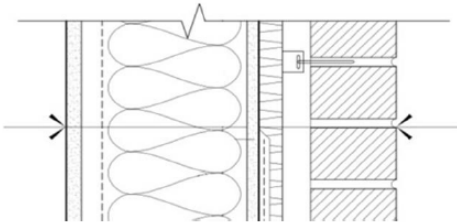
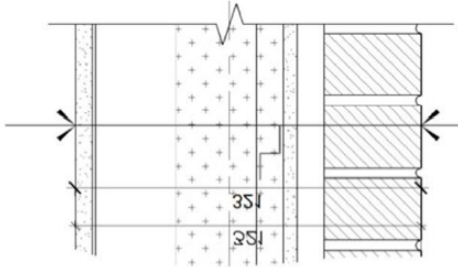
Climate Zones	US U-Value Requirements	
	All other	Groupe R
0 and 1	0.077	0.077
2	0.077	0.064
3	0.064	0.064
4 Except Marine	0.064	0.064
5 and Marine 4	0.055	0.055
6	0.049	0.049
7	0.049	0.042
8	0.037	0.037

D-Max Wall Assembly - Thermal Resistance - Heatlok HFO				
Z-Bar Thickness	Z-Bar Spacing	Total Thickness of Heatlok HFO	Effective Thermal Resistance	U-Value
3"	24" c/c	4.09"	19.7	0.051
		4.55"	20.7	0.048
		5.45"	22.4	0.045
		5.91"	23.2	0.043
		6.82"	25	0.040
	16" c/c	4.49"	17.8	0.056
		5.37"	19.2	0.052
		6.13"	20.4	0.049
		6.36"	20.9	0.048
		2.25"	24" c/c	3.41"
4.99"	20.7			0.048
5.45"	21.5			0.047
6.36"	23			0.043
6.82"	23.8			0.042
16" c/c	3.41"		15.6	0.064
	5.45"		18.9	0.053
	6.59"		20.7	0.048

- * With generic exterior finish (exterior finish has negligible impact on the results)
- * Steel studs @ 16" c/c (the thickness of the framing has negligible impact on the results)
- * Values for opaque wall only

D-Max Wall Assembly – Acoustical Testing

AOITC (Apparent Outside Inside Transmission Class) : represents sound loss expressed in decibels (dB) depending on a source with a precise reference spectrum. This value corresponds to the difference between the sound pressure level emitted by a sound source on a facade of a building and a room inside it. Since no sound source is the same, the calculation is based on a source with virtual frequency behavior established in the E1332 standard and is done in accordance with ASTM E 966.

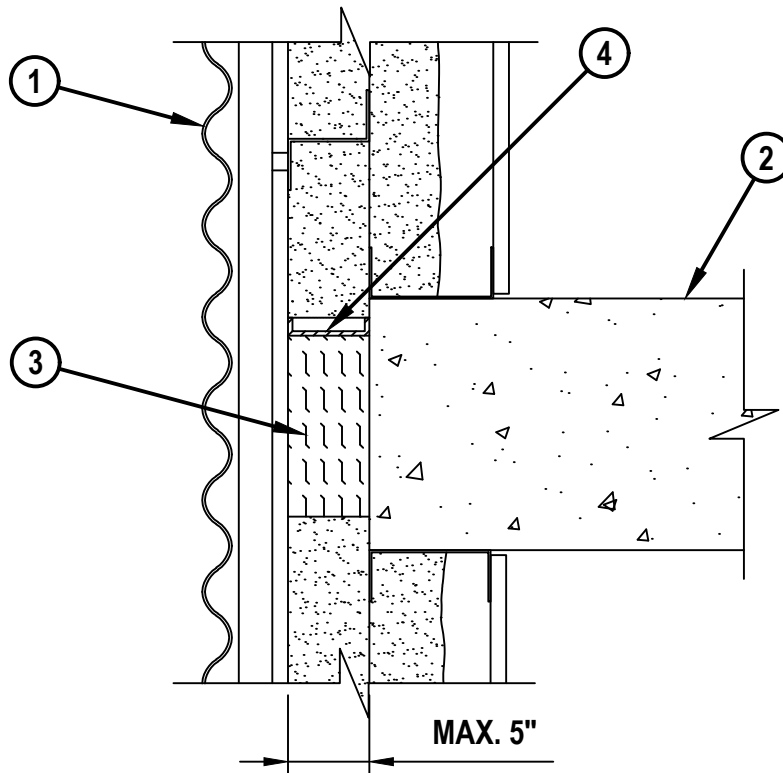
Test	Units	Cut	Assemblies	AOITC
#1 <u>Marc-Aurèle</u> (Mineral wool)	721	M-1		42
#2 <u>Saphir</u> (D-Max Wall)	GF Bathroom	M-2		45

With an average difference of 3 dB, the M-2 composition can attenuate twice as much sound energy as the M-1 composition.

ENGINEERING JUDGMENT FIRESTOP DETAIL

PROJECT : D-MAX WALL
 CONTRACTOR : HUNTSMAN BUILDING SOLUTIONS
 F-RATING = 1-HR. OR 2-HR. (SEE NOTE NO. 2 BELOW)

CROSS-SECTIONAL VIEW



1. EXTERIOR DENSGLASS CURTAIN WALL ASSEMBLY WITH MAXIMUM 8" STEEL STUD FRAMING AND [OPTIONAL, NOT SHOWN] EIFS (NON FIRE-RATED).
2. CONCRETE FLOOR ASSEMBLY (MINIMUM 5" THICK) (1-HR. OR 2-HR. FIRE-RATING).
3. MINIMUM 4" THICKNESS MINERAL WOOL SAFING (MIN. 4 PCF DENSITY) COMPRESSED 33%. MINERAL WOOL MAY BE RECESED BELOW TOP SURFACE OF FLOOR ASSEMBLY MAXIMUM 1".
4. MINIMUM 1/8" (WET) THICKNESS HILTI CFS-SP WB FIRESTOP JOINT SPRAY OR MINIMUM 2mm (WET) THICKNESS HILTI CFS-SP SIL FIRESTOP SILICONE JOINT SPRAY TO COMPLETELY COVER MINERAL WOOL, OVERLAPPING MINIMUM 1/2" ONTO ADJACENT ASSEMBLIES.

NOTES : 1. MAXIMUM WIDTH OF JOINT = 4".
 2. FIRE-RATING OF ASSEMBLY IS DEPENDENT UPON THE PERFORMANCE OF CURTAIN WALL ASSEMBLY UNDER FIRE CONDITIONS.
 3. THIS SYSTEM IS DESIGNED BASED UPON CANADIAN TEST STANDARD CAN/ULC-S115-2018 AND IN ACCORDANCE WITH ASTM E2307.

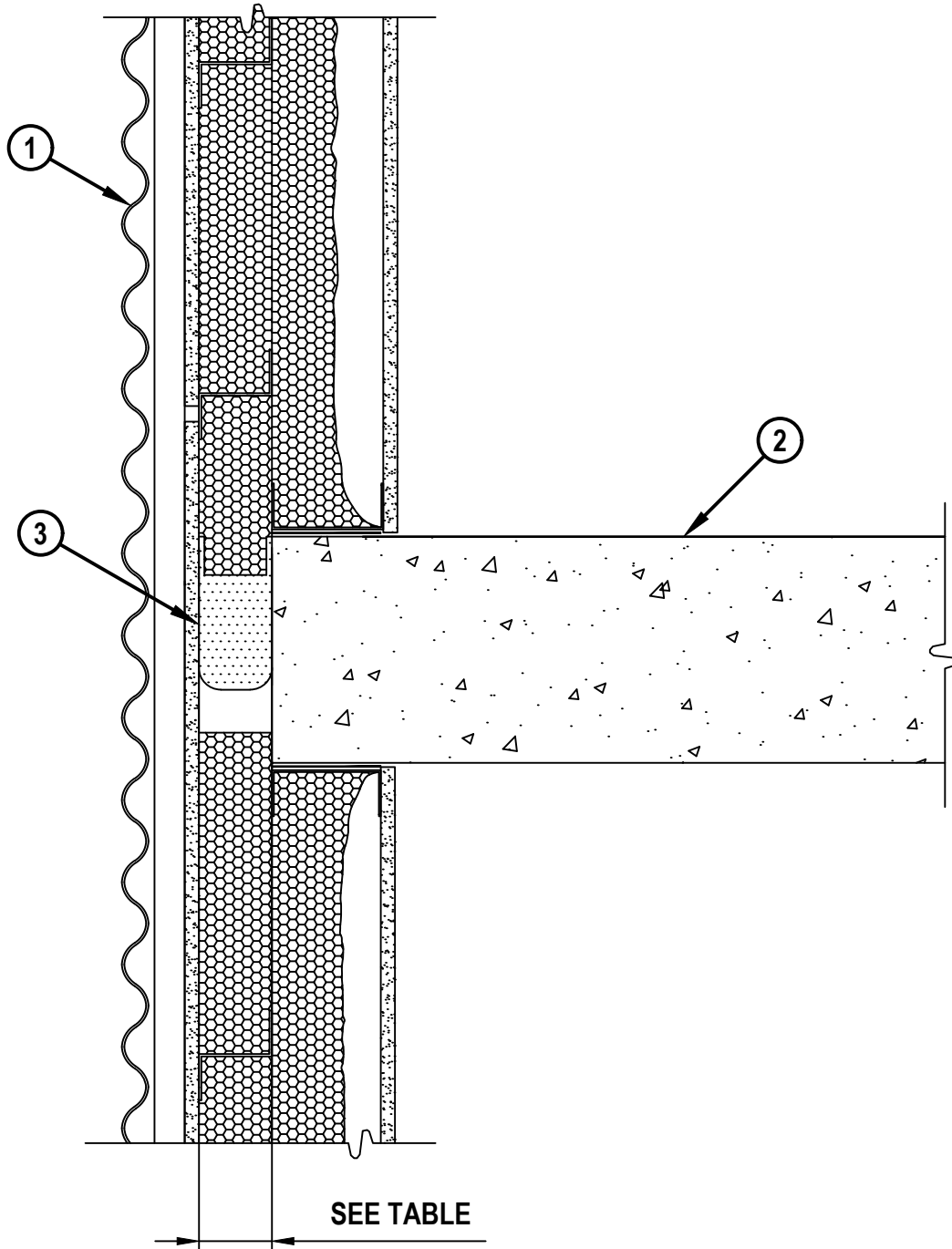
THIS ENGINEERING JUDGMENT REPRESENTS A FIRESTOP SYSTEM THAT WOULD BE EXPECTED TO PASS THE STATED RATINGS IF TESTED.
 (REFERENCE : INTERTEK SYSTEM NO. HI/BP 120-04 & HI/BP 120-03)

 Hilti Firestop Systems	HILTI, Inc. Plano, Texas USA (800) 879-8000	Sheet 1 of 1	Drawing No. 378451b
	Designed by <i>Nathan Jennings</i>	Scale 3/16" = 1"	
		Date Mar. 29, 2021	
Saving Lives through Innovation and Education			

ENGINEERING JUDGMENT FIRESTOP DETAIL

PROJECT : D-MAX WALL
CONTRACTOR : HUNTSMAN BUILDING SOLUTIONS
F-RATING = 1-HR. OR 2-HR. (SEE NOTE NO. 2 BELOW)

CROSS-SECTIONAL VIEW



HILTI, Inc.
Plano, Texas USA (800) 879-8000
Designed by *Nathan Jennings*

Sheet	1 of 2
Scale	1/4" = 1"
Date	June 10, 2021

Drawing No.
524598a

ENGINEERING JUDGMENT FIRESTOP DETAIL

PROJECT : D-MAX WALL
 CONTRACTOR : HUNTSMAN BUILDING SOLUTIONS
 F-RATING = 1-HR. OR 2-HR. (SEE NOTE NO. 2 BELOW)

1. EXTERIOR DENSGLASS CURTAIN WALL ASSEMBLY WITH MAXIMUM 8" STEEL STUD FRAMING AND [OPTIONAL] EIFS (NON FIRE-RATED).
2. CONCRETE FLOOR ASSEMBLY (MINIMUM 5" THICK) (1-HR. OR 2-HR. FIRE-RATING).
3. COMPRESS THE APPROPRIATELY SIZED EDGE OF SLAB QUICKSEAL (CFS-EOS QS) PRODUCT (PER TABLE BELOW) INTO PERIMETER JOINT. REMOVE PAPER FROM ADHESIVE AND ADHERE FLAPS FIRMLY TO ADJACENT SUBSTRATES. SPLICES (BUTT JOINTS) IN THE LENGTH OF EDGE OF SLAB QUICKSEAL (CFS-EOS QS) ARE TO BE TIGHTLY COMPRESSED TOGETHER (MINIMUM 1/4" COMPRESSION).

PRODUCT	ALLOWABLE JOINT WIDTH	
	MINIMUM	MAXIMUM
CFS-EOS QS SMALL	1-1/2"	3"
CFS-EOS QS MEDIUM	2"	4"
CFS-EOS QS LARGE	3"	5"

NOTES : 1. MAXIMUM WIDTH OF JOINT = 4".
 2. FIRE-RATING OF ASSEMBLY IS DEPENDENT UPON THE PERFORMANCE OF CURTAIN WALL ASSEMBLY UNDER FIRE CONDITIONS.
 3. THIS SYSTEM IS DESIGNED BASED UPON CANADIAN TEST STANDARD CAN/ULC-S115-2018 AND IN ACCORDANCE WITH ASTM E2307.

THIS ENGINEERING JUDGMENT REPRESENTS A FIRESTOP SYSTEM THAT WOULD BE EXPECTED TO PASS THE STATED RATINGS IF TESTED.
 (REFERENCE : INTERTEK SYSTEM NO. HI/BP 120-04, HI/BP 120-03, HI/BPF 120-25 & HI/BPF 120-18)



Hilti Firestop Systems

HILTI, Inc.
 Plano, Texas USA (800) 879-8000

Designed by

Nathan Jennings

Sheet 2 of 2

Scale -

Date June 10, 2021

Drawing No.

524598a

Saving Lives through Innovation and Education



Fire Protection Products



ENGINEERING JUDGMENT FOR:
9/3/2020
Marc Simard
3M Canada Company

Project: Mur D-Max	Contractor: TBD
Firestopping Category: Joints / Perimeter	Hourly Rating Requested / Type: 1 and 2 Hour / F
Joint Type: Perimeter	Obtainable Rating: *see below
Curtain Wall: Exterior Grade Fiberglass Sheathed Gypsum Board	Maximum Joint Width: 4 Inch
Type of Movement: Dynamic	Slab Assembly: Concrete Floor

<p>Special Conditions: Field conditions like Intertek Design 3MU/JS 120-22 with deviation of spray foam in lieu of the optional mineral wool batt curtain wall insulation. Steel studs terminate at top and bottom of concrete floor instead of passing through joint, and are tied to exterior wall with horizontal Z-shaped framing. Firestop may be recessed up 1 in. below top surface of concrete floor.</p>
<p>Application Details: To firestop this application, install in accordance with Intertek Design 3MU/JS 120-22 with the following modifications/clarifications:</p> <ol style="list-style-type: none"> 1. Install min 4 in. depth of min 4 pcf mineral wool compressed min 33% within the joint. Mineral wool may be recessed below top surface of floor assembly maximum 1 in. 2. Install one of the following over the mineral wool: <ul style="list-style-type: none"> • Install a 1/10 in. wet thickness of Watertight Spray or 1/8 in. wet thickness of FireDam Spray 200 over the mineral wool. <ul style="list-style-type: none"> o Watertight Spray or FireDam Spray 200 to overlap minimum ½ in. onto all surrounding substrates. • Install a minimum ¼ in. depth of sealant to completely cover the mineral wool. Sealant to be level with the top surface of the floor. • Install Fire and Water Barrier Tape to completely cover the mineral wool. <ul style="list-style-type: none"> o Tape to overlap minimum 1 in. onto all surrounding substrates. o Splices in the tape system to overlap minimum ½ in. 3. *The obtainable rating in this scenario is reduced to “Up to 1- or 2-hour F only or as long as the entire assembly remains fully intact in a fire scenario”.
<p>3M Fire Barrier Material: FireDam Spray 200, FB 1003SL Silicone Sealant, Fire and Water Barrier Tape, 3M Fire Barrier Watertight Spray</p>
<p>Based On: 3MU/JS 120-22</p>
<p>Additional Referenced System(s): (See Attached Drawing)</p>
<p>This Engineering Judgment (EJ) is based upon the sole and exclusive use of 3M brand Fire Protection Products as described within. Modification of any of the parameters of this EJ, including, without limitation, the use of non-3M brand Fire Protection Products, shall render this EJ null and void. This perimeter fire barrier design is expected to achieve the hourly rating indicated above. This engineering judgment is based on performance results obtained in testing with independent laboratories which have been tested in accordance to ASTM E 2307 and / or internal 3M fire tests, and CAN/ULC-S115.</p>

Engineering Judgment Prepared By:



Paul Fannin
Senior Application Engineer

Reviewed By:



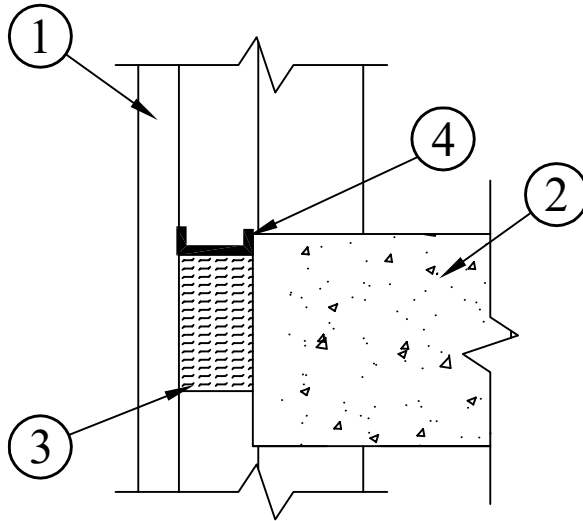
610333
cc: Bethany Turowec
Email: bturowec@mmm.com

Technical Information, Product Selection and Use

The technical information, guidance and other statements contained in this document are based upon records, tests or experience that 3M believes are reliable, but the accuracy or completeness of such information is not guaranteed and may not be indicative of field conditions. Many factors beyond 3M's control and uniquely within user's knowledge and control can affect the use and performance of a 3M product in a particular application. As a result, customer is solely responsible for evaluating the 3M product and determining whether it is appropriate and suitable for customer's application. 3M product purchases are subject to the terms, conditions and limitations set forth in the applicable Technical Data Sheet

3M FIRE PROTECT

3M ENGINEERING JUDGEMENT NO. 610333
 MODIFIED SYSTEM NO. 3MU/JS 120-22
 REQUESTED F RATING - 1 & 2 HR
 OBTAINABLE RATING: *SEE BELOW



- 1. EXTERIOR GRADE FIBERGLASS SHEATHED GYPSUM BOARD..
- 2. CONCRETE FLOOR.
- 3. 4 PCF MINERAL WOOL.
- 4. FIRESTOP SEALANT/SPRAY AS OUTLINED IN APPROPRIATE VERSION OF CORRESPONDING EJ. (SPRAY DEPICTED)

*THE OBTAINABLE RATING IN THIS SCENARIO IS REDUCED TO "UP TO 1- OR 2-HOUR F ONLY OR AS LONG AS THE ENTIRE ASSEMBLY REMAINS FULLY INTACT IN A FIRE SCENARIO".

SEE APPLICATION DETAIL NOTES ON APPROPRIATE VERSION OF CORRESPONDING EJ.

CONFIGURATION OR ORIENTATION OF PENETRANT(S)/OPENING(S) MAY NOT MATCH SITE CONDITION(S).

CONSULT CURRENT INDEPENDENT TESTING LABORATORIES (UL/INTERTEK) FOR SYSTEMS OR DESIGN DETAILS

PROJECT:
MUR D-MAX

SIGNATURE:
Bruce Fitzwater

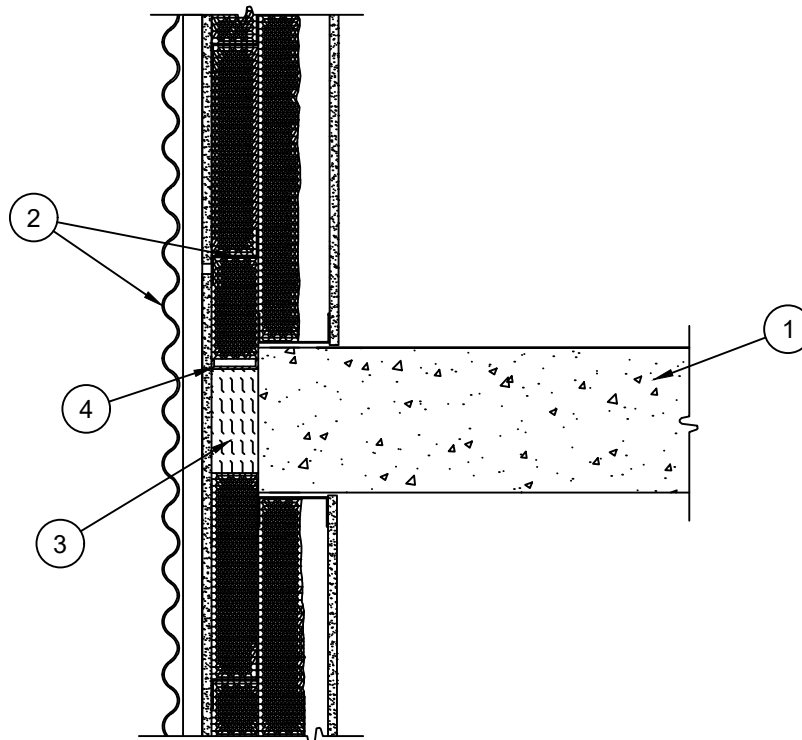
REV:	DATE:	DESCRIPTION	DRWN BY:
0	09-03-20	ORIGINAL ISSUE	BLF

THIS ELEMENTARY FIRESTOP DRAWING IS TO BE USED ALONG WITH THE CORRESPONDING ENGINEERING JUDGMENT AND REFERENCED LISTED/TESTED SYSTEMS FROM INDEPENDENT TESTING LABORATORIES (UL/INTERTEK). DRAWING NOT TO SCALE.

DWG. LOCATION: 610333.DWG	DATE: 09-03-20
-------------------------------------	--------------------------

ALL STATEMENTS, TECHNICAL INFORMATION AND RECOMMENDATIONS CONTAINED HEREIN ARE BASED ON TEST: WE BELIEVE TO BE RELIABLE, HOWEVER, SINCE THE CONDITIO OF USE AND APPLICATION ARE BEYOND OUR CONTROL, 3M SHALL NOT BE LIABLE FOR ANY DAMAGE, DIRECT OR CONSEQUENTIAL, RESULTING FROM THE USE OF THIS MATERI/ OR DESIGN. 3M'S ONLY WARRANTY SHALL BE TO REPLACE AN/ OF OUR PRODUCTS PROVED TO BE DEFECTIVE.


3M Fire Protection Products



1. **Floor Assembly (2 Hr)** - Min 5" thick concrete floor assembly.
2. **Curtain Wall Assembly (Non Fire Rated)** - Exterior densglass curtain wall assembly with max 8" steel stud framing and (optional, not shown) EIFS. Max width of joint is 4".
3. **Packing Material** - Min 4 pcf density mineral wool batt insulation compressed a min 33% and installed within joint to a min 4" depth, flush with top surface of floor. When sealant is used, recess to accommodate for the required depth of sealant.
4. **Spray** - SpecSeal® AS200, Fast Tack, or SFS Safing Spray applied to completely cover mineral wool to a min 1/8" wet thickness, overlapping onto surrounding substrates a min 1/2".
5. **Sealant (Optional)** - In lieu of spray, SpecSeal® SIL300SL Sealant applied within joint to a min 1/2" depth. Sealant to be flush with top surface of floor.

***Notes:** 1 - Rating of the firestop system is dependent on the performance of the surrounding construction under fire exposure with a max possible F rating of 2 Hr.

THIS DESIGN REPRESENTS A FIRESTOP SYSTEM EXPECTED TO PASS THE STATED RATINGS IF TESTED

Project: Huntsman Building Solutions		Signature: 		System Reference: CW-D-1011	
Project Address:		Date: 3/31/2021		PAGE 1 OF 1	
Designed by: Joe Potts					
Contractor/Architect: Hunstman Building Services		Scale: N.T.S.		Based on testing to ASTM E2307 and CAN/ULC-S115 Standard Test Method of Fire Tests of Through-Penetration and Joint Firestops	



Specified Technologies Inc.

210 Evans Way • Somerville, NJ 08876 USA • Toll Free: 800-992-1130 • T: +1 908-526-8000
F: +1 908-231-8415 • E: techserv@stfirestop.com • www.stfirestop.com

All statements, technical information, and recommendations contained herein are based upon tests we believe to be accurate; however since the conditions of use and application are beyond our control, STI shall not be liable for any damage, direct or consequential, resulting from the use of this material or design. STI's sole warranty shall be to refund or replace materials found to be defective.